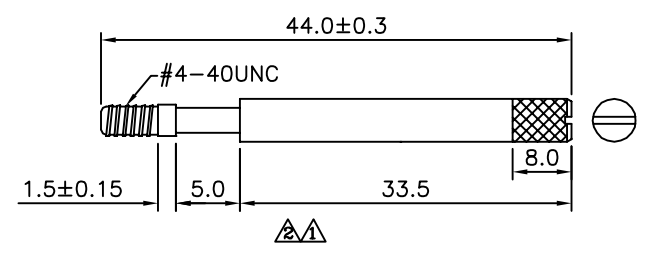
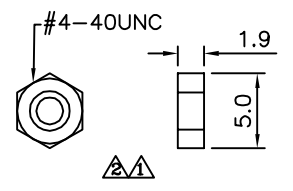
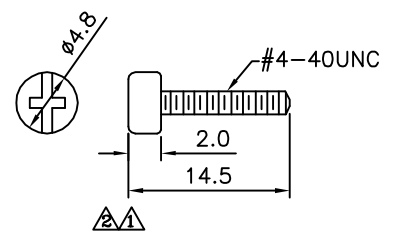
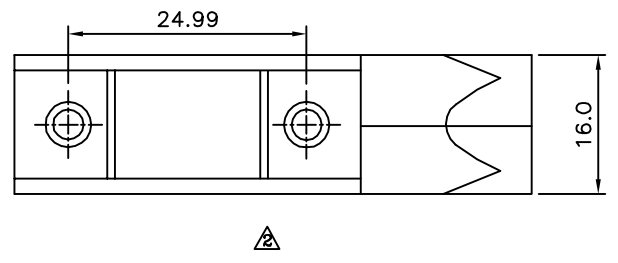
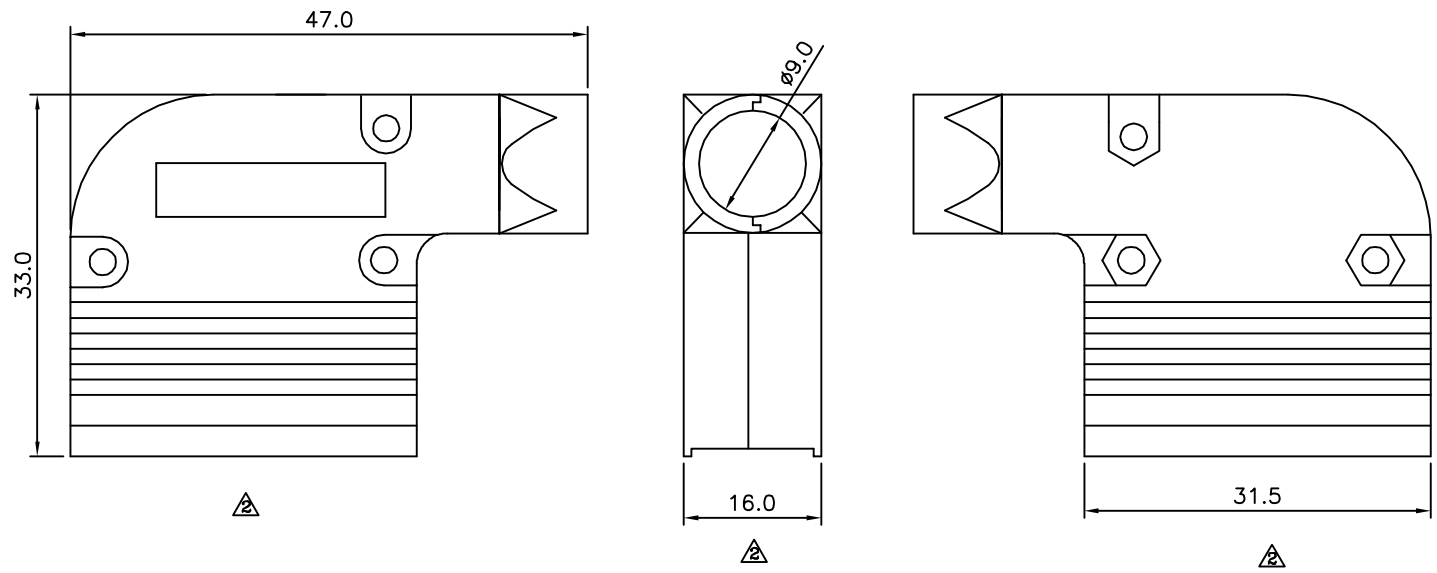


△ SPECIFICATION
 Material: Zinc Alloy, Nickel Plated
 Screw: Steel, Nickel Plated
 RoHS Compliant



4U CON 元化興業股份有限公司
 4U CON TECHNOLOGY INC.

DRAWING No.		APPROVED BY		UNLESS OTHERWISE SPECIFIED	
19131		EMILY		TOLERANCES ARE	
		CHECKED BY		X. ±0.5	
		HZF		△ X ±0.3	
		DRAWING BY		.XX ±0.2	
		CYP		ANG. ±5°	
SCALE	NONE	REV.	A2	UNIT	mm

NO.	REV.	REVISIONS	CHK	DATE
△ A2		Modify Data	HZF	07/21/2015
△ A1		Add Screw Drawing	INGRID	12/31/2007
△ A0		NEW RELEASE	BECKY	09/10/2004