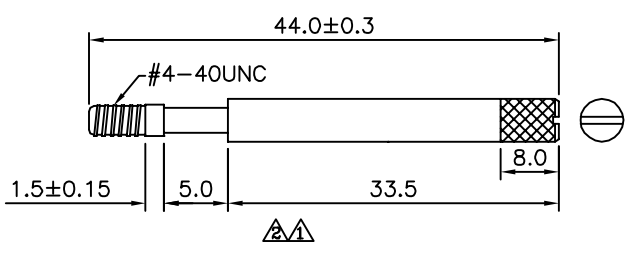
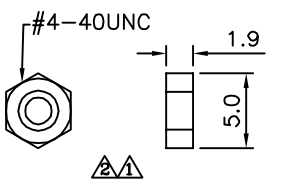
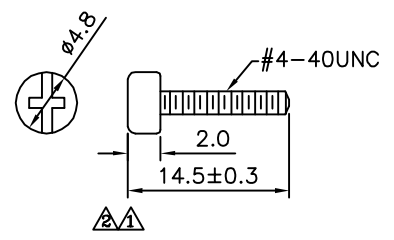
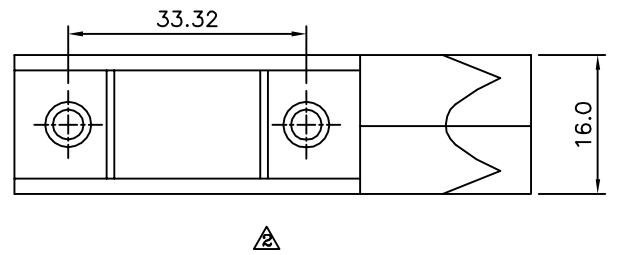
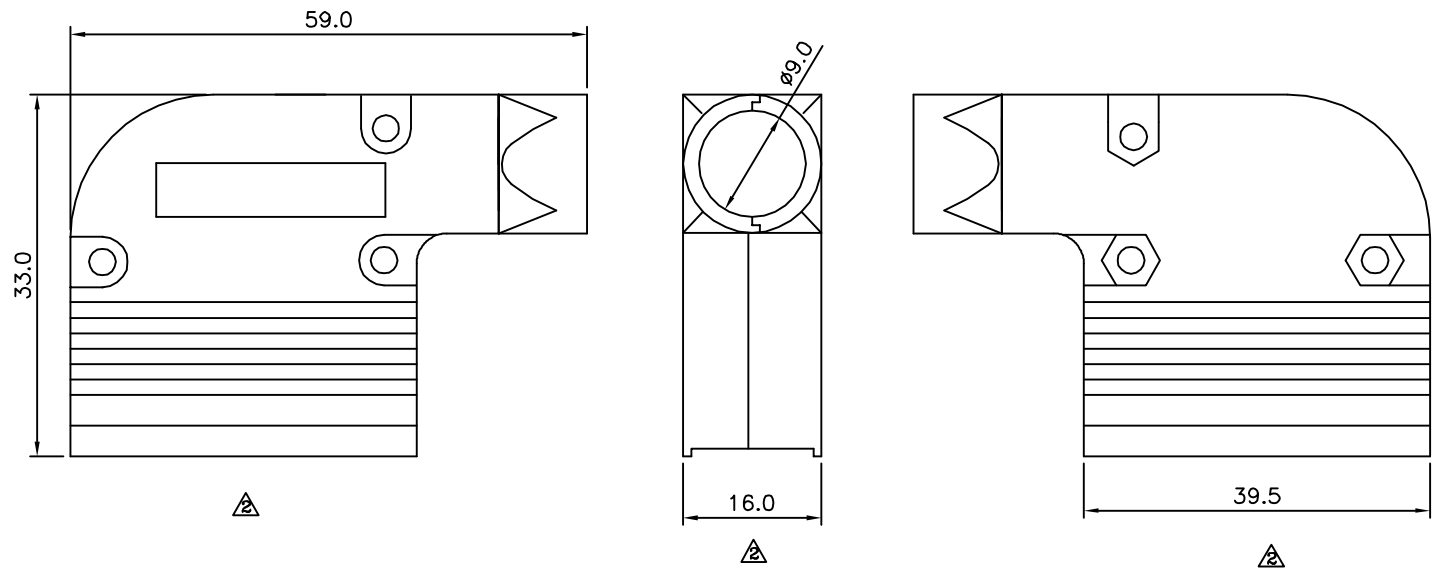


△ SPECIFICATION
 Material: Zinc Alloy, Nickel Plated
 Screw: Steel, Nickel Plated
 RoHS Compliant



4UCON 元化興業股份有限公司
 4UCON TECHNOLOGY INC.

DRAWING No.		APPROVED BY		UNLESS OTHERWISE SPECIFIED					
19132		EMILY		TOLERANCES ARE					
		CHECKED BY		X. ±0.5		△ A2	Modify Data	HZF	07/21/2015
		DRAWING BY		.X ±0.3		△ A1	Add Screw Drawing	INGRID	12/31/2007
		CYP		.XX ±0.2		△ A0	NEW RELEASE	BECKY	09/10/2004
SCALE	NONE	REV.	A2	UNIT	mm	NO. REV.	REVISIONS	CHK	DATE