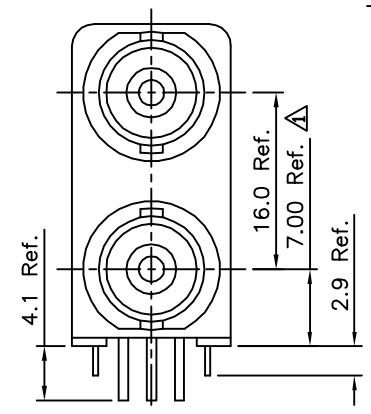
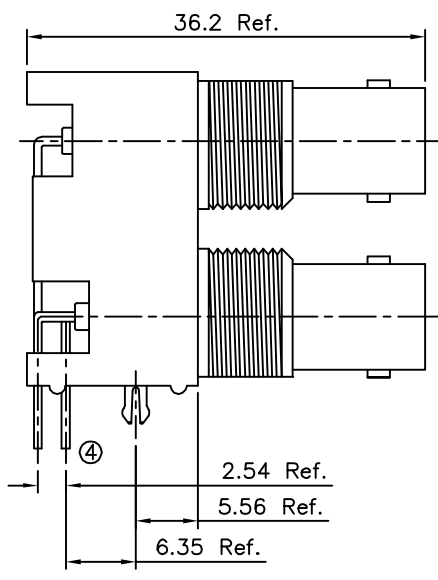
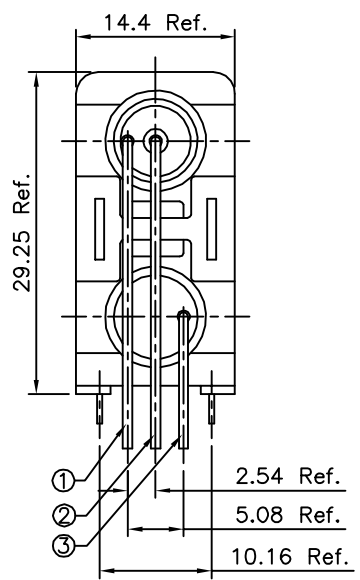
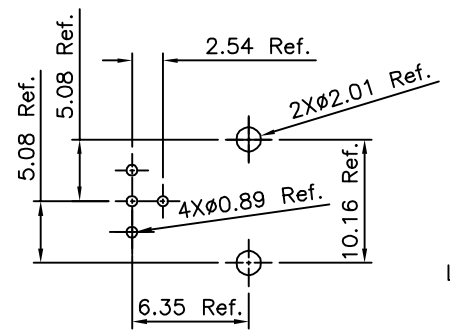


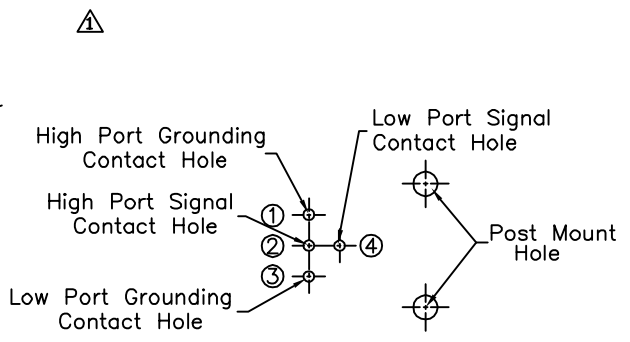
**SPECIFICATION**  
 Frequency Range:0~1 GHz  
 Operating Voltage:500V RMS  
 Dielectric Withstanding Voltage:1500V RMS  
 Contact Resistance:3.0 Milliohms Max. (Gold)  
 Insulation Resistance:5000 Megaohms Min.  
 Temperature Range:-65°C~+165°C  
 Nominal Impedance:50 Ohms  
 Mating/Unmating:500 Cycles  
 Thermal Shock-MIL-STD-202,Method 107,Gond.B.  
 Physical Shock-MIL-STD-202,Method 204,Gond.B.  
 RoHS Compliant



Panel Cutout



Recommended PCB Layout



Recommended PCB Layout

Item	Description	Material & Finish
1	Housing	PBT+30%G.F.,UL94V-0
2	Conn. Body	Zinc Alloy,Nickel Plated Over All
3	Center Contact	Phosphor Bronze,Gold Plated On Contact Area, Tin Plated On Solder Tails,Over Nickel
4	Insulator	Polypropylene UL 94HB
5	Grounding Terminal	Copper Plated Steel,Tin Plated
6	Mounting Hook	Brass,Tin Plated

**4UCON** 元化興業股份有限公司  
 4UCON TECHNOLOGY INC.

DRAWING No.		APPROVED BY		UNLESS OTHERWISE SPECIFIED TOLERANCES ARE .X ±0.38 .XX ±0.25 ANG.
19185		EMILY		
		CHECKED BY HZF		
		DRAWING BY YBL		
SCALE	NONE	REV.	A2	UNIT mm

NO.	REV.	REVISIONS	CHK	DATE
		A2 Add P/N Code	HZF	01/09/2013
		A1 Modify Data	HZF	02/24/2012
		A0 NEW RELEASE	BECKY	11/26/2004