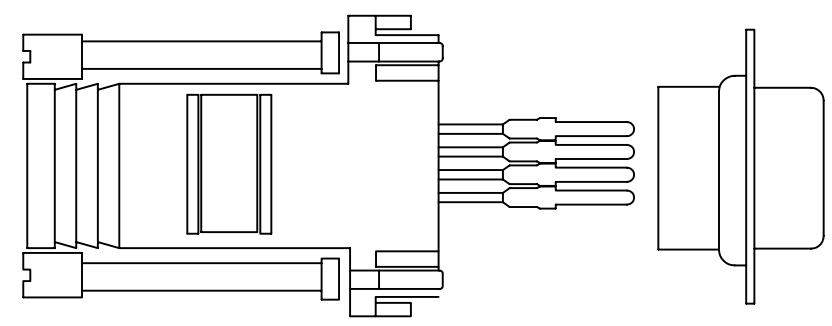
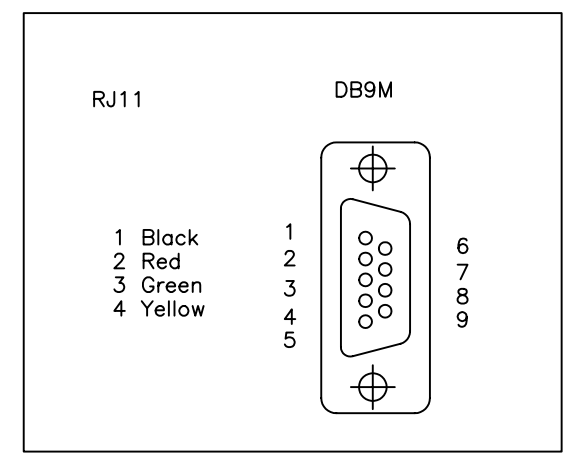
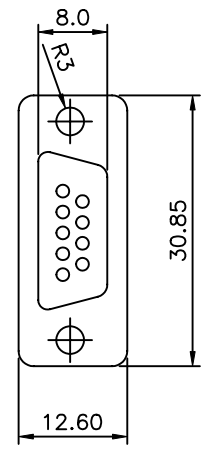
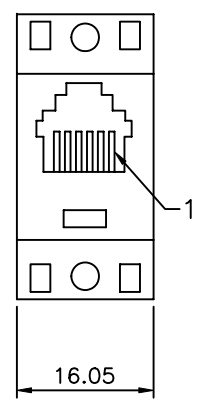
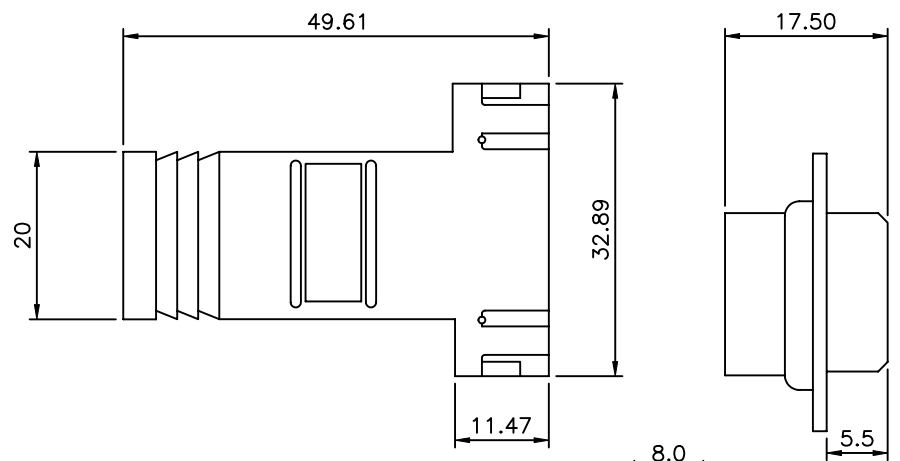


SPECIFICATION
 Plastic:ABS
 Screw:4-40 Nickel Plating Thumb Screw
 Lead Wire:UL1061,26AWG,7 Strand
 Terminal:Copper,Gold Plating
 RoHS Compliant



4UCON 元化興業股份有限公司
 4UCON TECHNOLOGY INC.

DRAWING No.		APPROVED BY		UNLESS OTHERWISE SPECIFIED TOLERANCES ARE .X ±0.38 .XX ±0.25
19335		MEI		
		HZF		
		DRAWING BY		
		XYH		
SCALE	NONE	REV.	BO	UNIT mm

NO.	REV.	REVISIONS	CHK	DATE
△ BO		NEW RELEASE	HZF	01/05/2009