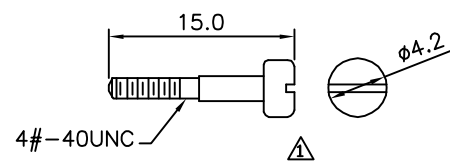
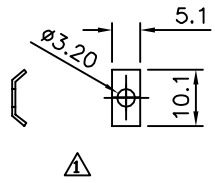
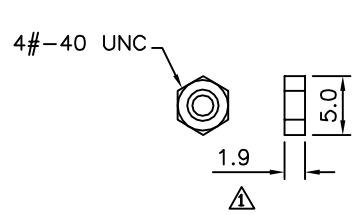
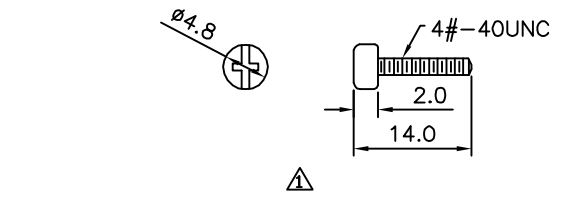
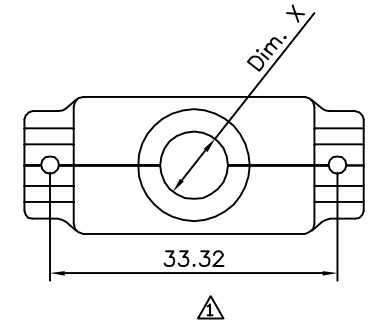
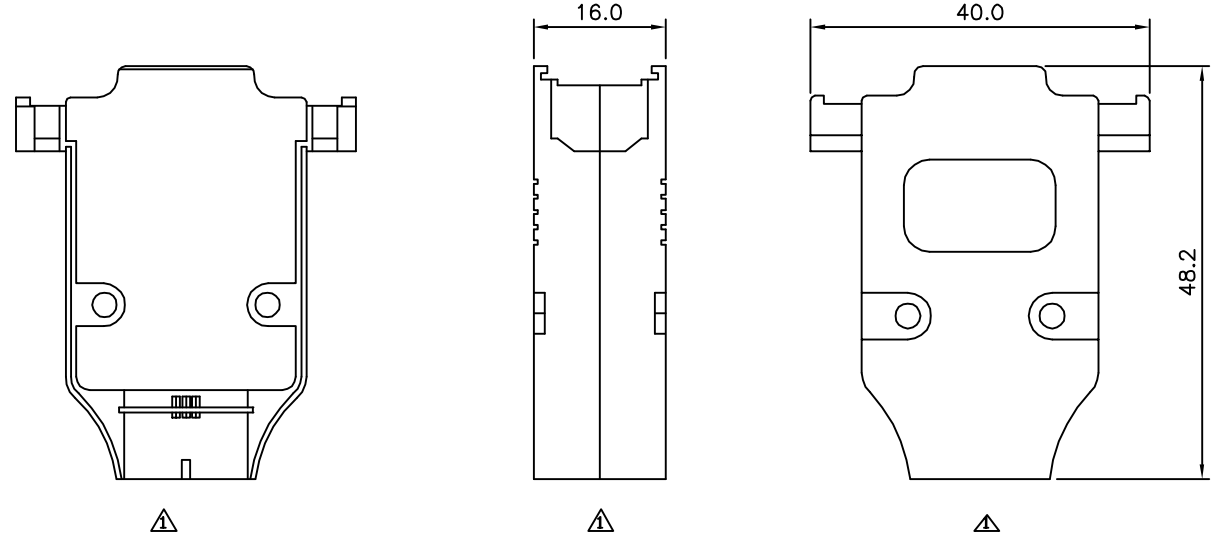


**SPECIFICATION**  
 △ Material: Zinc Alloy, Chromate Plated  
 RoHS Compliant

Dim. X	Item No.
9mm	19361
10.5mm	03405



**4UCON** 元化興業股份有限公司  
 4UCON TECHNOLOGY INC.

DRAWING No.		APPROVED BY		UNLESS OTHERWISE SPECIFIED TOLERANCES ARE X. ±0.5 △.X ±0.3 .XX ±0.2 ANG. ±5°
19361		MEI		
		CHECKED BY HZF		
		DRAWING BY WSS		
SCALE	NONE	REV.	A1	UNIT mm

NO.	REV.	REVISIONS	CHK	DATE
△ A1		Modify Data	HZF	02/13/2012
△ A0		NEW RELEASE	HZF	05/28/2007