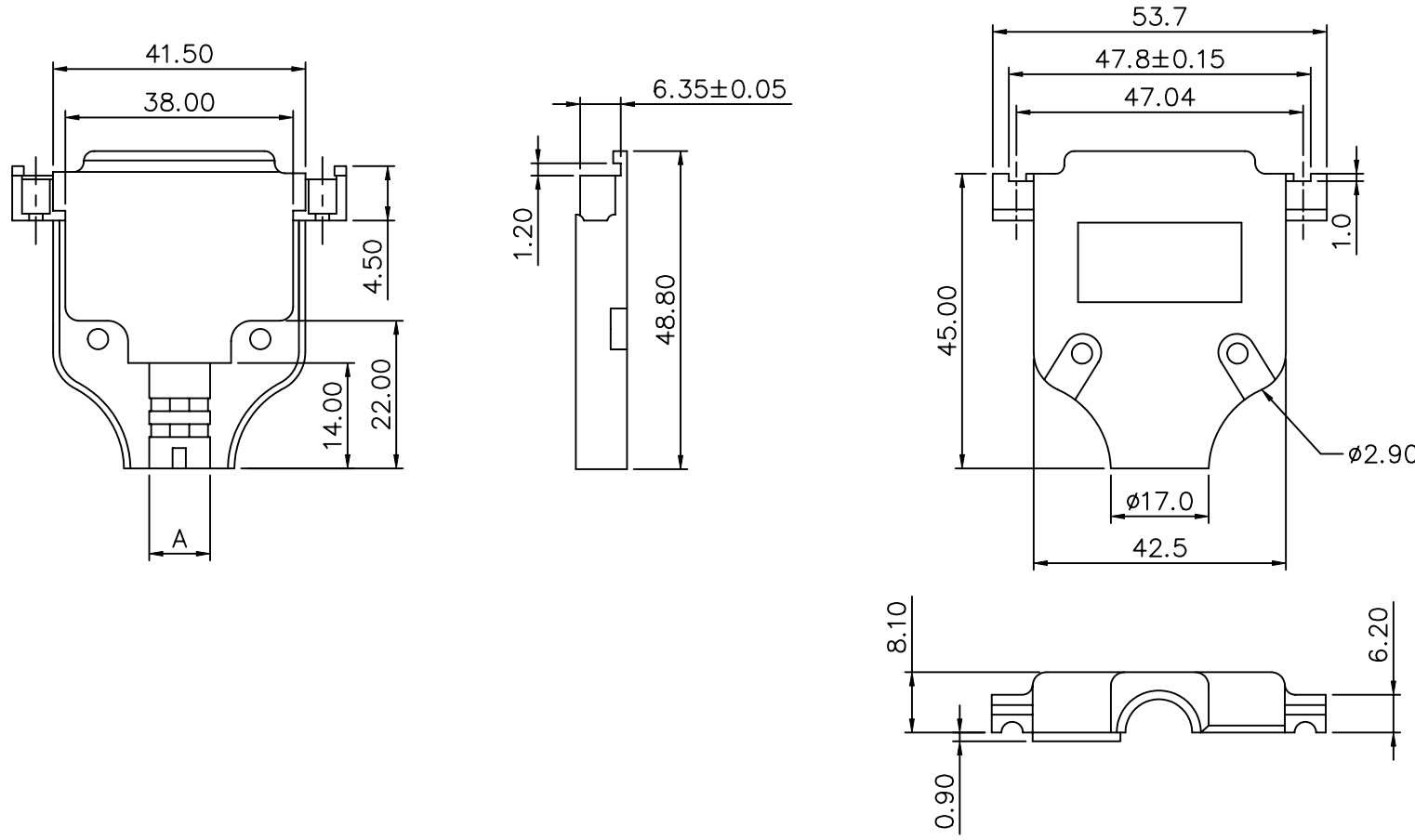


SPECIFICATIONS:
 Material: Zinc Alloy, Nickel Plated
 ⚠ A: 8, 10, 11.0, 13.0
 RoHS Compliant



4UCON 元化興業股份有限公司
 4UCON TECHNOLOGY INC.

DRAWING No.		APPROVED BY		UNLESS OTHERWISE SPECIFIED TOLERANCES ARE
19362		MEI		
		RAN		
		DRAWING BY		.X ±0.38
		LXH		.XX ±0.25
				ANG.
SCALE	NONE	REV.	A1	UNIT
				mm

NO.	REV.	REVISIONS	CHK	DATE
⚠ A1		Modify 12.5----13.0	HZF	11/05/2008
⚠ A0		NEW RELEASE	HZF	