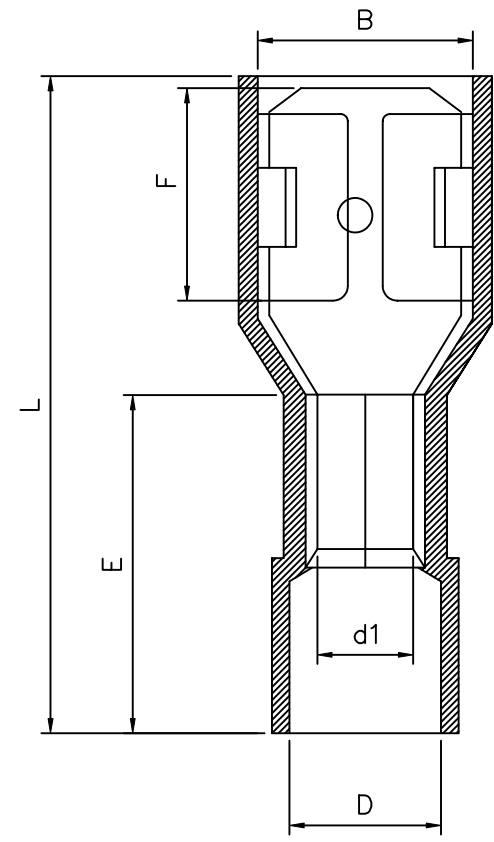
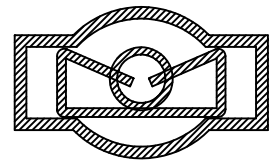


**SPECIFICATION**

Applicable Wires:AWG#22~16  
 Max. Electric Rating:105°C 300V  
 Max. Electric Current:10A  
 Terminal:Brass,Tin Plated  
 Insulator:Nylon ,Red  
 RoHS Compliant



Nema Tab	B±0.2	L±1.0	F±0.2	E±0.8	D±0.3	d1±0.2
0.8x6.4	6.6	21.5	7.9	11.0	4.5	1.7

**4UCON** 元化興業股份有限公司  
 4UCON TECHNOLOGY INC.

DRAWING No.  
 19370

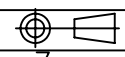
APPROVED BY MEI  
 CHECKED BY LHC  
 DRAWING BY HZF

UNLESS OTHERWISE SPECIFIED TOLERANCES ARE  
 .X ±0.38  
 .XX ±0.25  
 ANG.  
 UNIT mm

NO.	REV.	REVISIONS	CHK	DATE
△ A0		NEW RELEASE		

SCALE NONE

REV. A0



UNIT mm