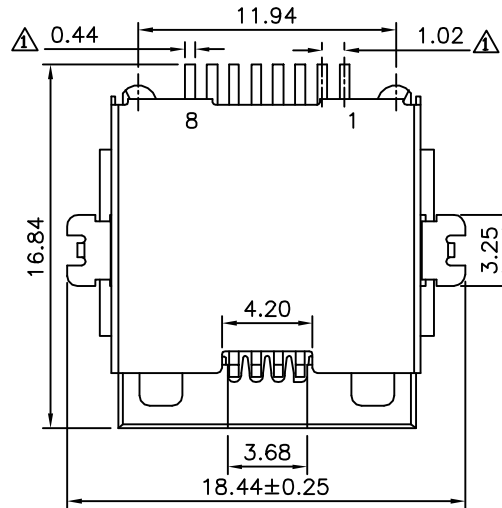
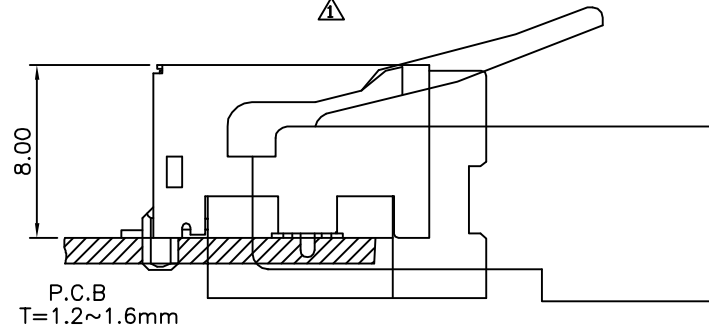
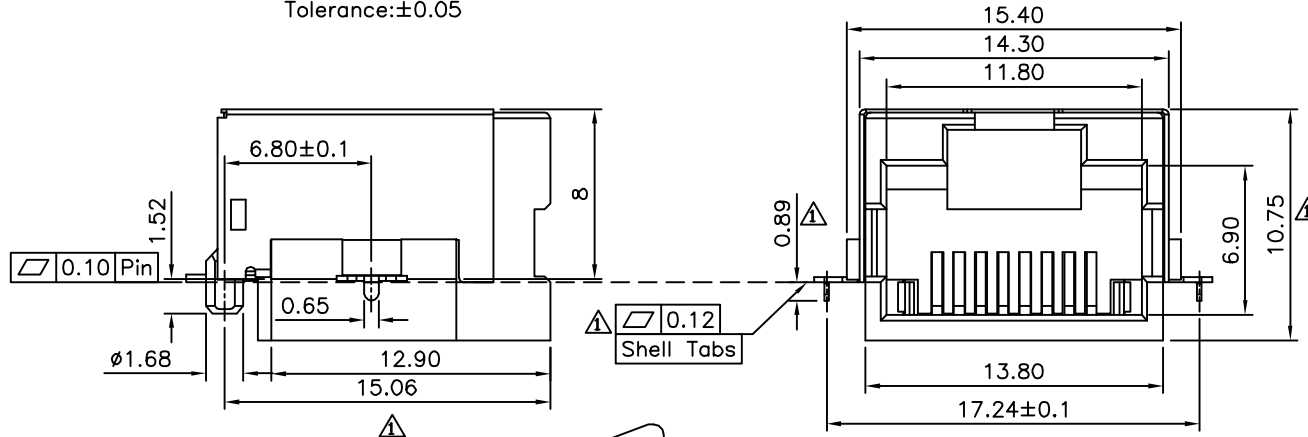


Recommended P.C.B. Layout(Component Side)
Tolerance: ± 0.05



SPECIFICATION

Current Rating:1.5 Amp
 Voltage Rating:125V AC RMS
 Contact Resistance:20 Milliohms Max.
 Insulation Resistance:1000 Megaohms Min. @ 500V DC
 Dielectric Strength:1000V AC RMS@ 0.5mA
 Storage Temperature: $-40^{\circ}\text{C} \sim +85^{\circ}\text{C}$
 Relative Humidity<80%
 Operation Temperature: $-40^{\circ}\text{C} \sim +85^{\circ}\text{C}$
 Durability:750 Cycles Min.
 Mating/Umating Force:30N Max.
 Retention Strength:30N For 60s \pm 5s
 Housing:LCP(UL94V-0),Black
 Contact:Phosphor Bronze
 Gold Plated 15u" On Contact Area,
 Tin Plated On Solder Tails,Over Nickel
 Shell:Brass,Gold Flash On Solder Tails,
 Nickel Plated Over All
 RoHS Compliant



4UCON 元化興業股份有限公司
4UCON TECHNOLOGY INC.

DRAWING No.

19568

APPROVED BY

EMILY

CHECKED BY

HZF

DRAWING BY

HAO

UNLESS OTHERWISE SPECIFIED TOLERANCES ARE
 0~15 ± 0.15
 15~30 ± 0.20
 30~ ± 0.25
 ANG. $\pm 1^{\circ}$

SCALE

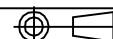
NONE

REV.

B2

UNIT

mm



NO.	REV.	REVISIONS	CHK	DATE
△ B2		Modify Data	HZF	05/14/2015
△ B1		Modify Data	HZF	10/04/2013
△ B0		NEW RELEASE	HZF	09/03/2013