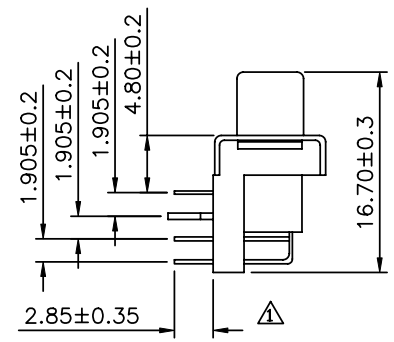
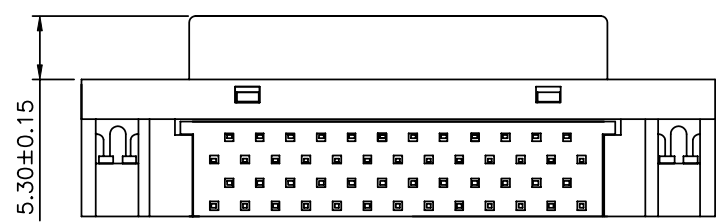
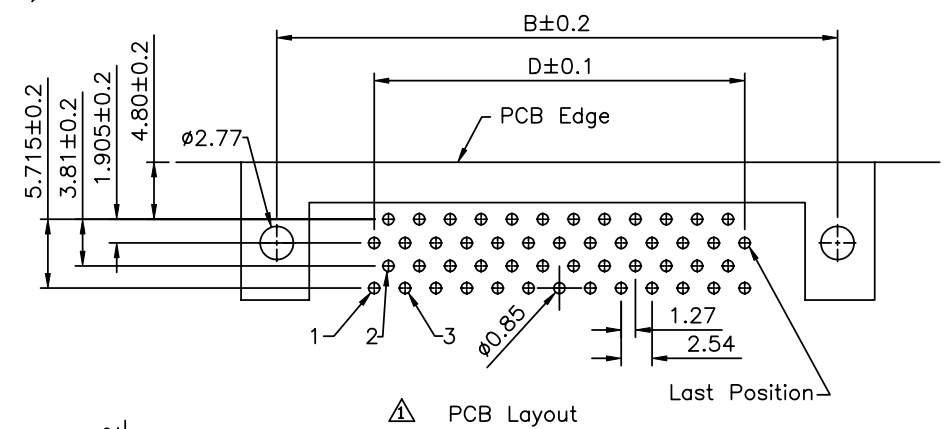
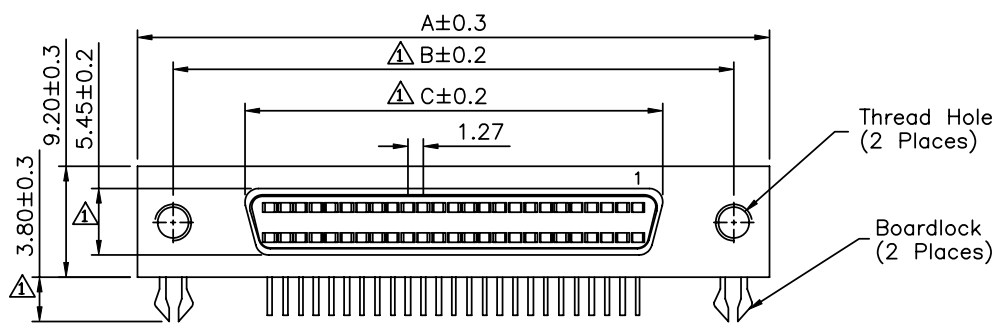


△ SPECIFICATION
 Contact Current Rating:1Amp
 Dielectric Withstanding Voltage:500V AC
 Insulation Resistance:500 Megaohms Min.
 Contact Resistance:35 Milliohms Max.
 Operation Temperature:-55°C To +105°C
 Housing And Cover:Plastic Thermoplastic P.B.T
 UL94V-0,Black
 Contacts:Phosphor Bronze,Selective Gold Plated
 Front Shell:Steel,Nickel Plated Over Copper
 Bracket:Steel,Nickel Plated Over Copper
 Boardlock:Brass,Tin Plated Over Copper
 RoHS Compliant



△

Circuits	A	B	C	D
26	37.19	31.26	19.45	15.24
40	46.30	40.15	28.25	24.13
50	52.43	46.50	34.70	30.48
68	63.86	57.93	46.13	41.91

4UCON 元化興業股份有限公司
 4UCON TECHNOLOGY INC.

DRAWING No.		APPROVED BY		UNLESS OTHERWISE SPECIFIED TOLERANCES ARE .X ±0.38 .XX ±0.25
19599		MEI		
		CHECKED BY HZF		
		DRAWING BY XYH		UNIT mm
SCALE	NONE	REV.	A1	

△ A1	Modify Data	HZF	06/12/2009
△ A0	NEW RELEASE		
NO. REV.	REVISIONS	CHK	DATE