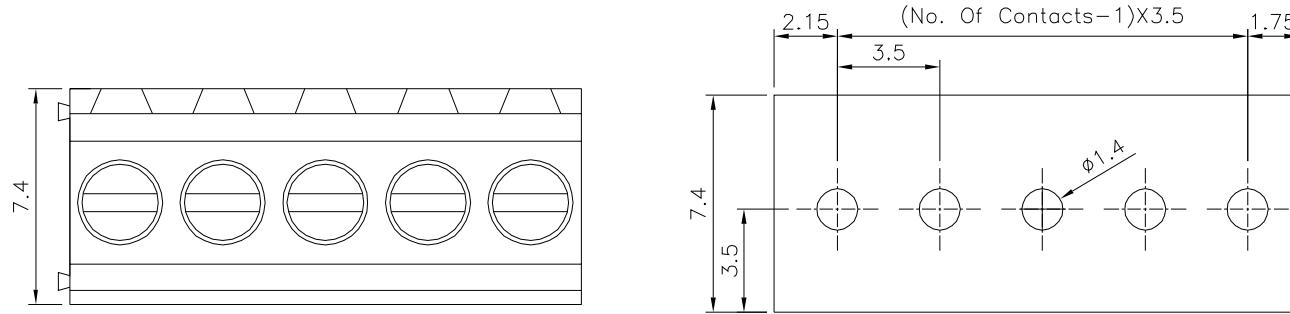
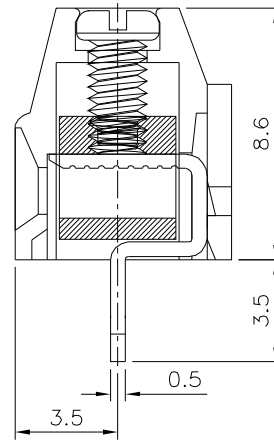
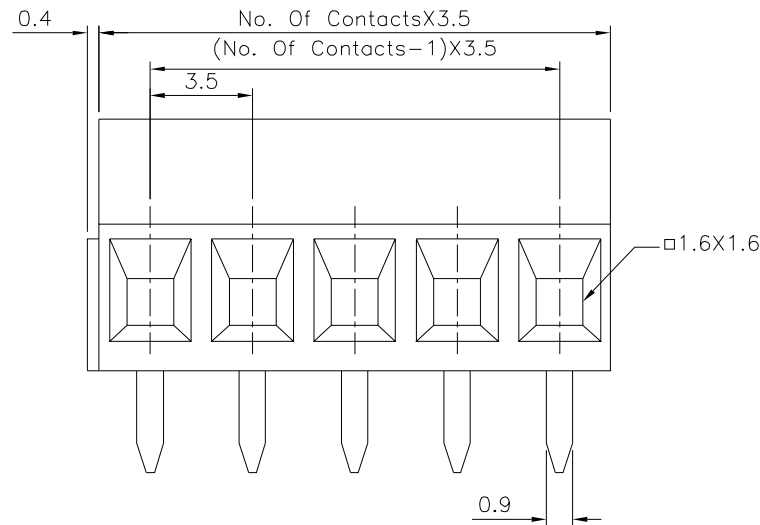


SPECIFICATION

Voltage Rating:300V AC
 Current Rating:10A/Way Max.
 Contact Resistance:20 Milliohms Max.
 Withstanding Voltage:2500V AC For 1 Minute
 Test Time=60 Sec./1 Pcs
 Wire Range:16~30AWG
 Torque:2 Kgf.cm/M2
 Operation Temperature:-40°C~+105°C
 Soldering Reliability:Test Temperature=250°C±10°C
 5 Seconds Max.
 Contact(Metal Housing):Copper Alloy,Nickel Plated
 Solder Pin:Copper Alloy,Tin Plated
 Terminal Screw:Steel,Galvanized With Cr3+ Plated
 Insulator Body(Housing):Polyamide(UL94V-0),Green
 RoHS Compliant



Recommended P.C.B. Layout



4UCON 元化興業股份有限公司
 4UCON TECHNOLOGY INC.

DRAWING No.		APPROVED BY		UNLESS OTHERWISE SPECIFIED TOLERANCES ARE X. ±0.50 .X ±0.30 .XX ±0.20 X* ±1*															
19709		MEI																	
		CHECKED BY																	
		HZF																	
		DRAWING BY		<table border="1"> <tr> <td>NO.</td> <td>REV.</td> <td>REVISIONS</td> <td>CHK</td> <td>DATE</td> </tr> <tr> <td>△0</td> <td>B0</td> <td>Modify Data</td> <td>HZF</td> <td>09/21/2023</td> </tr> <tr> <td>△0</td> <td>B0</td> <td>NEW RELEASE</td> <td>HZF</td> <td>09/21/2023</td> </tr> </table>	NO.	REV.	REVISIONS	CHK	DATE	△0	B0	Modify Data	HZF	09/21/2023	△0	B0	NEW RELEASE	HZF	09/21/2023
NO.	REV.	REVISIONS	CHK		DATE														
△0	B0	Modify Data	HZF	09/21/2023															
△0	B0	NEW RELEASE	HZF	09/21/2023															
SCALE	NONE	REV.	B0	UNIT mm															

NO.	REV.	REVISIONS	CHK	DATE
△0	B0	Modify Data	HZF	09/21/2023
△0	B0	NEW RELEASE	HZF	09/21/2023