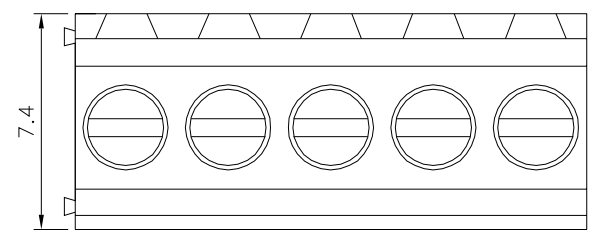
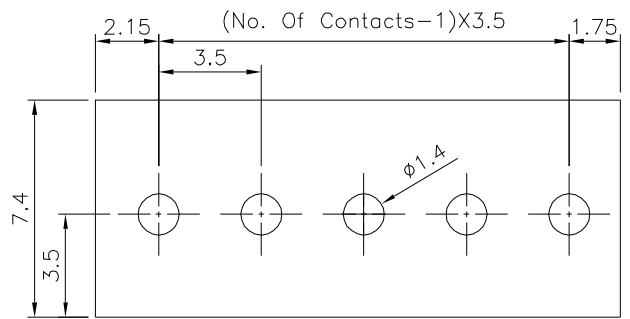


**△△ SPECIFICATION**

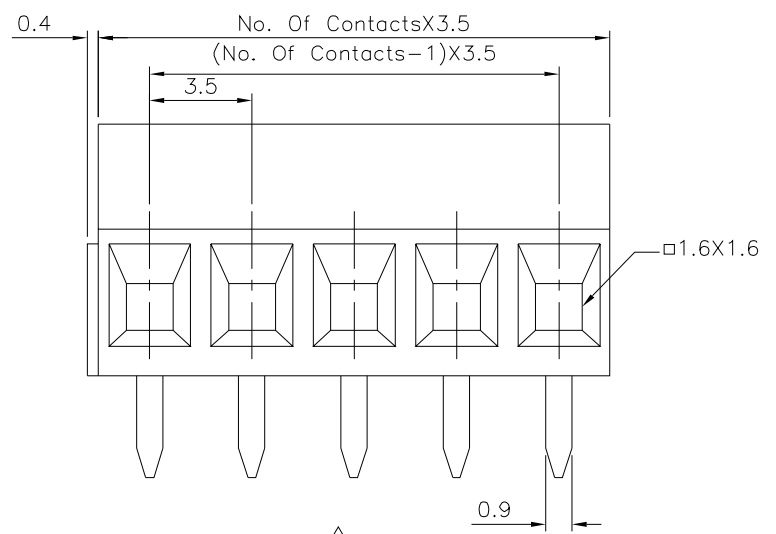
Voltage Rating:300V AC  
 Current Rating:10 Amp/Way Max.  
 Contact Resistance:20 Milliohms Max.  
 Withstanding Voltage:2500V AC For 1 Minute  
 Test Time=60 Sec./1 PCS  
 Wire Range:16~30AWG  
 Torque:2 Kgf.cm/M2  
 Operation Temperature:-40°C~+105°C  
 Soldering Reliability:Test Temperature=250°C±10°C  
 5 Seconds Max.  
 Contact(Metal Housing):Copper Alloy,Nickel Plated  
 Solder Pin:Copper Alloy,Tin Plated  
 Terminal Screw:Steel,Galvanized With Cr3+ Plated  
 Insulator Body(Housing):Polyamide(UL94V-0),Green  
 RoHS Compliant



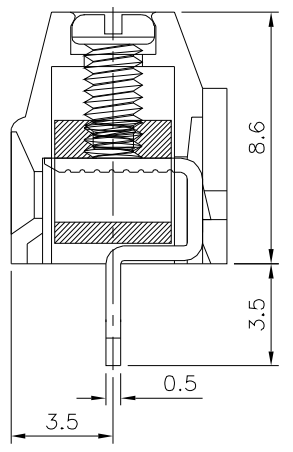
△△△



△ Recommended P.C.B. Layout



△



△

**4UCON** 元化興業股份有限公司  
 4UCON TECHNOLOGY INC.

DRAWING No. △  
 19715

APPROVED BY MEI  
 CHECKED BY HZF  
 DRAWING BY CYP

UNLESS OTHERWISE SPECIFIED TOLERANCES ARE  
 X. ±0.50  
 .X ±0.30  
 .XX ±0.20  
 X° ±1°

△	A4	Modify Data	HZF	02/13/2017
△	A3	Modify Data	HZF	11/24/2016
△	A2	Modify Data	HZF	02/14/2014
△	A1	Modify Data	HZF	05/13/2010
△	A0	NEW RELEASE	HZF	04/07/2009
NO. REV.	REVISIONS		CHK	DATE

SCALE NONE

REV. A4

UNIT mm

NO. REV. REVISIONS CHK DATE