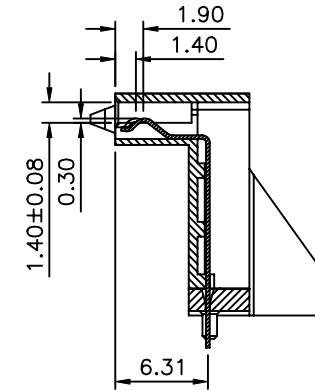
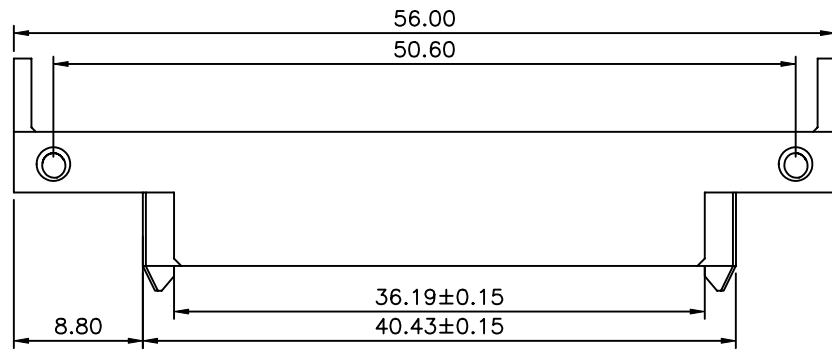


Recommended P.C.B. Layout

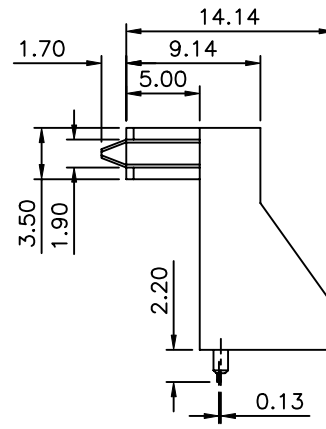
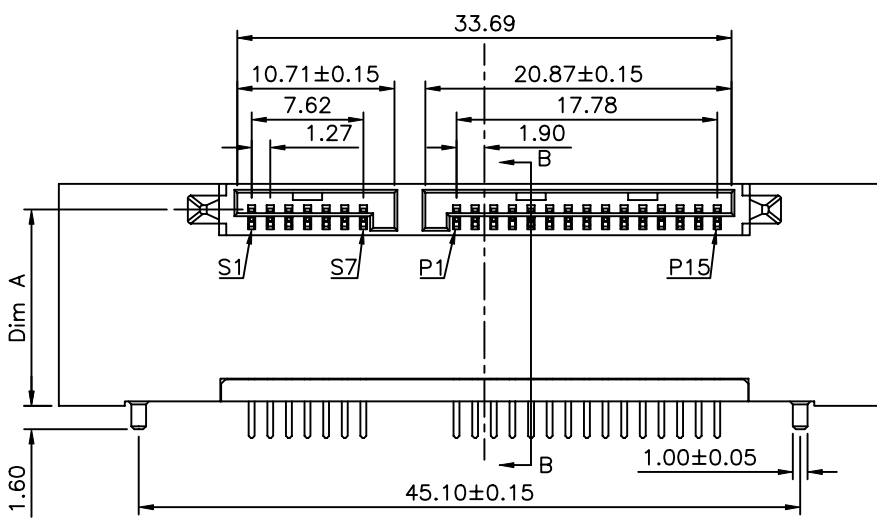
SPECIFICATION

Current Rating:1.5 Amp Per Contact
 Dielectric Withstanding Voltage:500V AC
 Contact Resistance:30 Milliohms Max.
 Insulation Resistance:1000 Megaohms Min.
 Operation Temperature:-20°C~+85°C
 Base:High Temperature Thermoplastic(UL94V-0)
 Nut:Copper Alloy,Nickel Plated
 Terminal:Copper Alloy
 Gold Flash On Contact Area
 Misty Tin Plated On Solder Tail,Under Nickel
 RoHS Compliant

SERIES NO.	Stand Off(Dim A)
19724	13
19723	15



Section B-B



4UCON 元化興業股份有限公司
 4UCON TECHNOLOGY INC.

DRAWING No.
 19723

APPROVED BY MEI
 CHECKED BY HZF
 DRAWING BY WZL

UNLESS OTHERWISE SPECIFIED TOLERANCES ARE
 .X ±0.30
 .XX ±0.25
 ANG. ±1°

SCALE NONE

REV. A0

UNIT mm

NO.	REV.	REVISIONS	CHK	DATE
△	A0	NEW RELEASE	HZF	07/23/2009