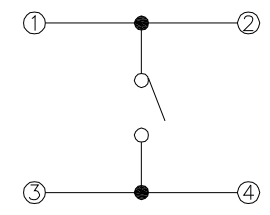
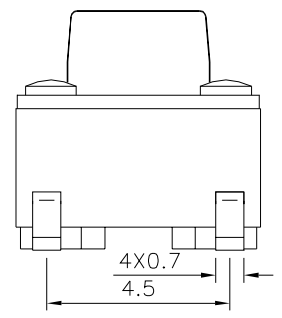
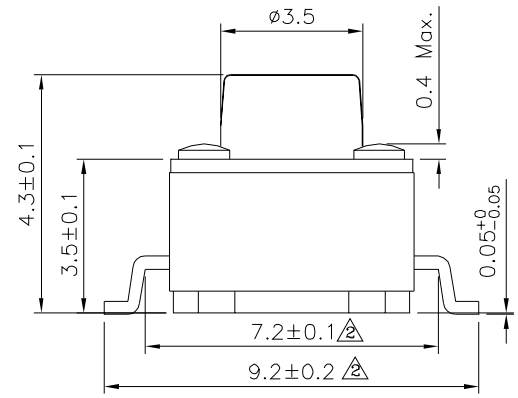
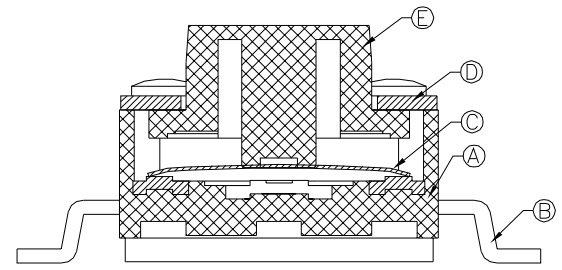
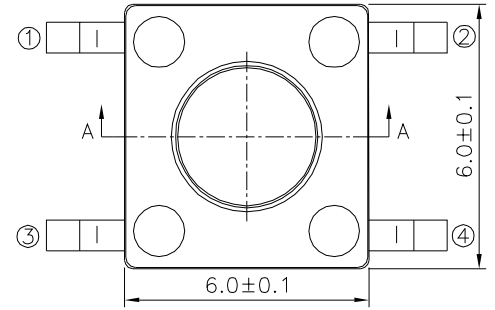


Recommended P.C.B. Layout

SPECIFICATION

Range:12V DC 50mA
 Contact Resistance:100 Milliohms Max.
 Insulation Resistance:100 Megaohms Min. At 100V DC
 Withstanding Volage:250V Ac 50Hz Or 60Hz
 Operating Temperature Range:-20°C~+70°C
 Storage Temperature Range:-40°C~+85°C
 Operating Force:160g

- Ⓐ Base:PA6T,Black
 - Ⓑ Terminal:Brass,Silver Plated
 - Ⓒ Contact:Phosphor Bronze,Silver Plated
 - Ⓓ Cover:Steel,CuSn Plated
 - Ⓔ Stem:PA6T,Brown
- RoHS Compliant



Circuit Diagram

4UCON 元化興業股份有限公司
 4UCON TECHNOLOGY INC.

DRAWING No. 19939		APPROVED BY MEI	
		CHECKED BY HZF	
		DRAWING BY CYP	
SCALE	NONE	REV.	A2

UNLESS OTHERWISE SPECIFIED TOLERANCES ARE
 .X ±0.3
 .XX ±0.3
 UNIT mm

NO.	REV.	REVISIONS	CHK	DATE
Ⓐ	A2	Modify Data	HZF	06/13/2020
Ⓐ	A1	Modify Data	HZF	01/07/2020
Ⓐ	A0	NEW RELEASE	HZF	09/12/2017