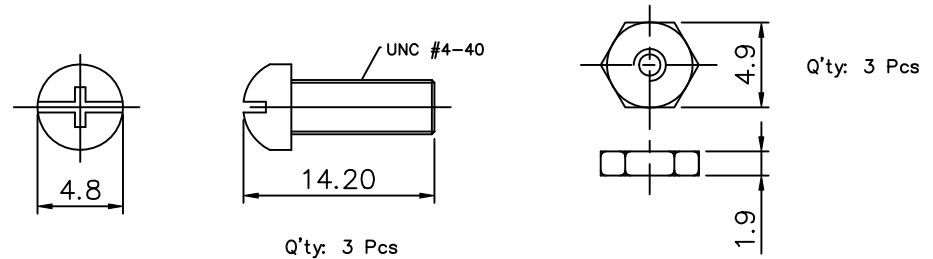
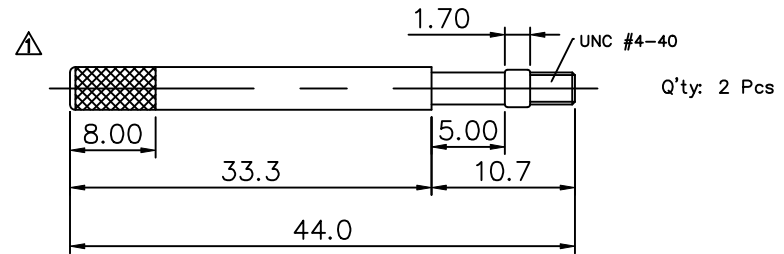
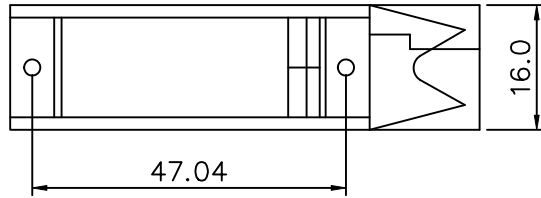
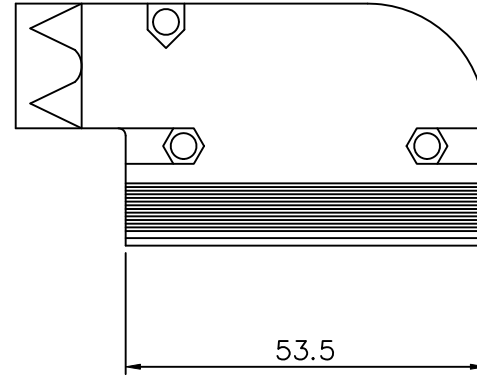
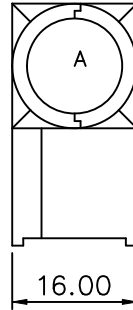
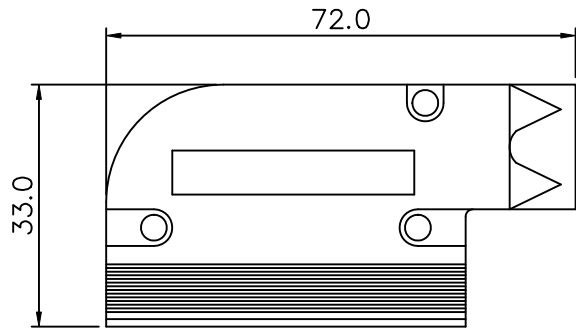


SPECIFICATIONS

Material: Zinc Alloy, Ni Plated
 Kits Consist of: 4-40 UNC Screw
 A: For Cable Dia: 7,5,9,11,13



4UCON 元化興業股份有限公司
 4UCON TECHNOLOGY INC.

DRAWING No.

20054

APPROVED BY

MEI

CHECKED BY

BECKY

DRAWING BY

TCF

UNLESS OTHERWISE SPECIFIED TOLERANCES ARE
 .X ±0.38
 .XX ±0.25
 AWG.

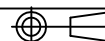
SCALE

NONE

REV.

A1

UNIT mm



NO. REV.

A1 Add Screw Drawing

A0 NEW RELEASE

REVISIONS

INGRID

BECKY

CHK

12/31/2007

09/10/2004

DATE