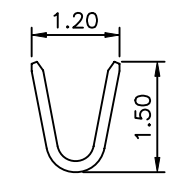
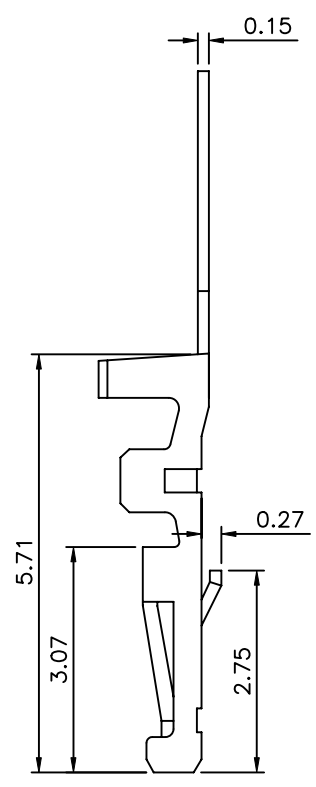
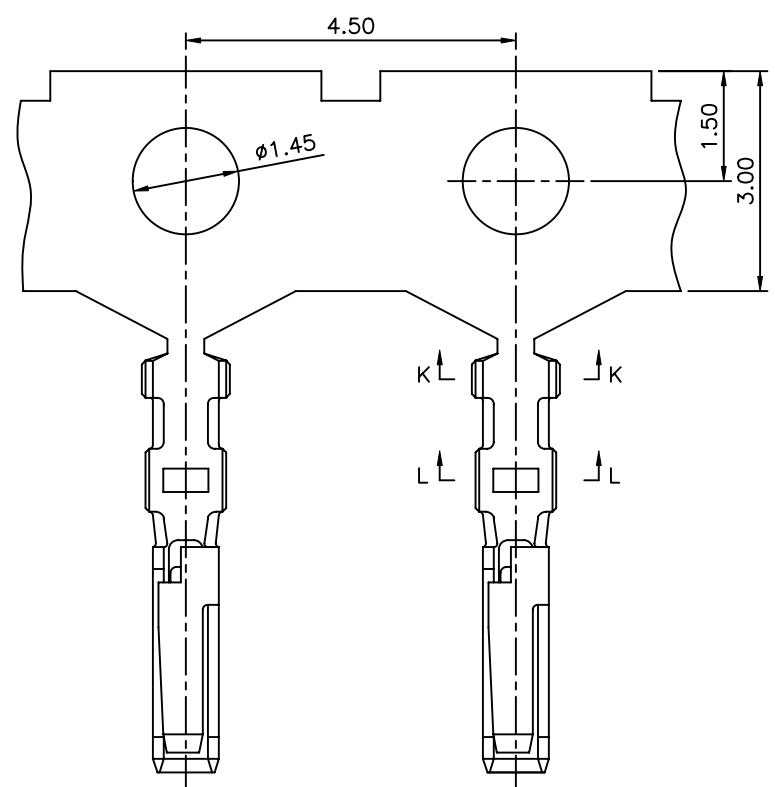
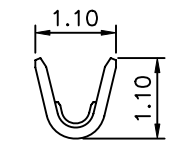


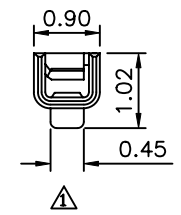
**△ SPECIFICATION**  
 Rating: 30V 1A, AC/DC  
 Material: Phosphor Bronze, Tin Plated  
 Applicable Wire AWG #30~#28  
 Qty: 15,000 PCS/Reel  
 RoHS Compliant



Section K-K



Section L-L



**4UCON** 元化興業股份有限公司  
 4UCON TECHNOLOGY INC.

DRAWING No.		APPROVED BY		UNLESS OTHERWISE SPECIFIED TOLERANCES ARE △ .X ±0.30 .XX ±0.20 .XXX ±0.10 ANG. ±2°
20095		EMILY		
		CHECKED BY		
		HZF		
		DRAWING BY		
		WZL		
SCALE	NONE	REV.	A1	UNIT
				mm

NO.	REV.	REVISIONS	CHK	DATE
△ A1		Modify Data	HZF	03/24/2011
△ A0		NEW RELEASE		