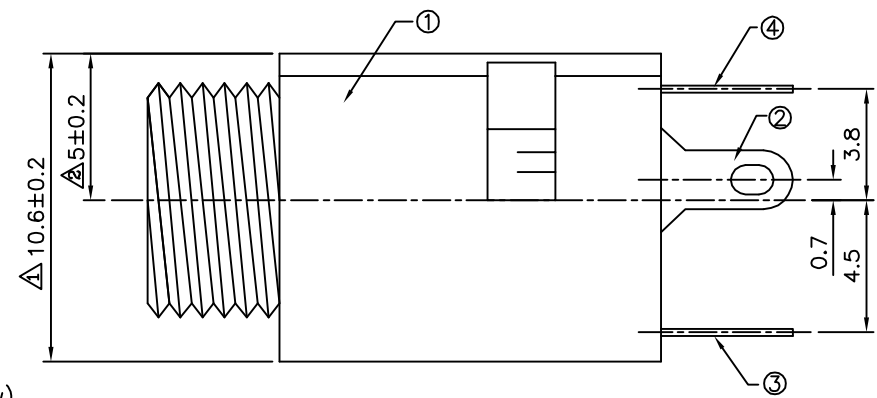
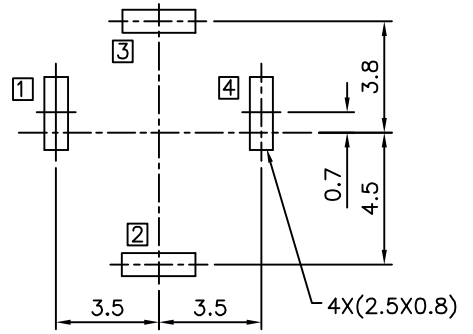
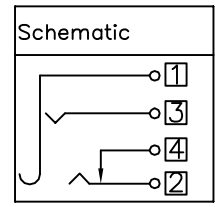
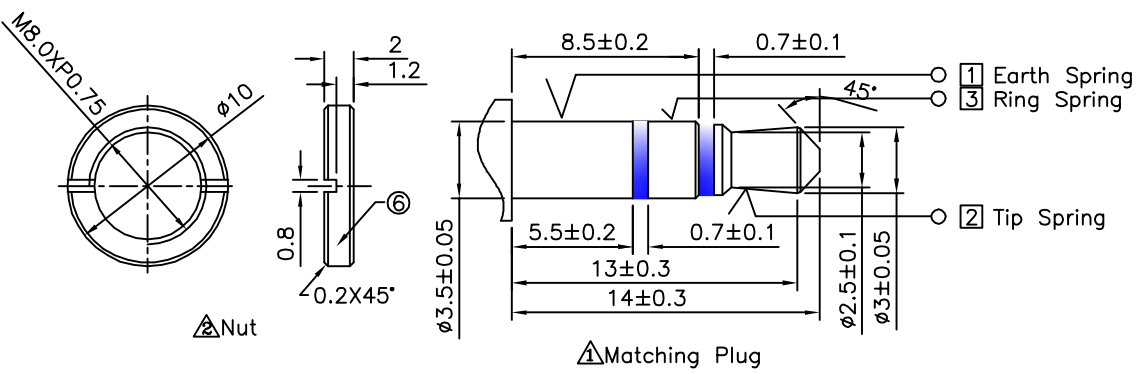


**△ SPECIFICATION**  
 Rating:DC 30V 0.5A  
 Withstand Voltage:500V AC  
 Contact Resistance:30 Milliohms Max.  
 After Test:50 Milliohms Max.  
 Insulation Resistance:100 Megaohms Min.  
 (500V DC)  
 After Test:50 Megaohms Min.  
 Insertion And Extraction Force:3~30N  
 Life Test:5000 Cycles Min.  
 Operation Temperature Range:-20°C~+70°C  
 Preservative Temperature Range:-40°C~+85°C  
 RoHS Compliant



△ Recommended P.C.B. Layout(Copper-Side View)  
 (PCB Board Tolerance±0.05)

No	Description	Q'ty	Material	Remark
⑥	Nut	1	Copper Alloy	Nickel Plated
⑤	Shunt Terminal	1	Brass	Silver Plated
④	Ring Spring	1	Phosphor Bronze	Silver Plated
③	Tip Spring	1	Phosphor Bronze	Silver Plated
②	Earth Spring	1	Phosphor Bronze	Silver Plated
①	Housing	1	PBT,UL94V-0	Black



□ : Terminal No.

**4UCON** 元化興業股份有限公司  
 4UCON TECHNOLOGY INC.

DRAWING No.		APPROVED BY		UNLESS OTHERWISE SPECIFIED TOLERANCES ARE X. ±0.3 .X ±0.3 ANG. ±2°
20121		MEI		
		CHECKED BY HZF		
		DRAWING BY WSS		
SCALE	NONE	REV.	A2	UNIT mm

NO.	REV.	REVISIONS	CHK	DATE
△ A2		Modify Data	HZF	05/10/2011
△ A1		Modify Data	HZF	04/27/2011
△ A0		NEW RELEASE	HZF	01/18/2009