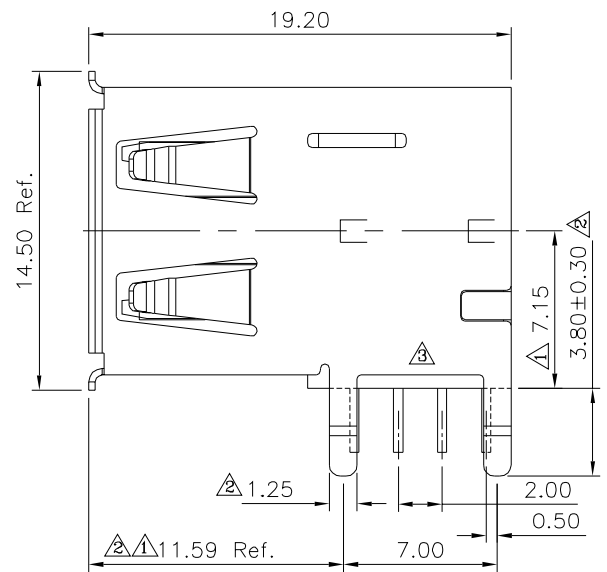
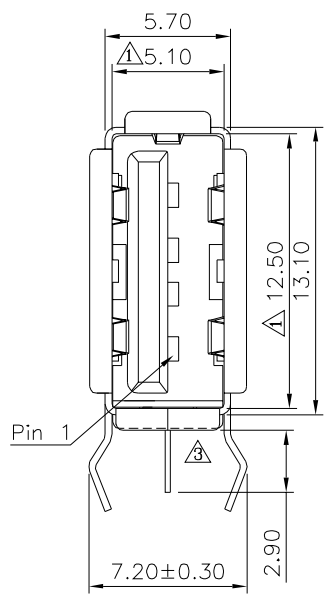
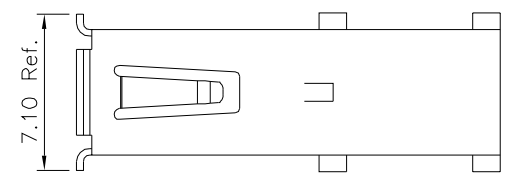


Recommended P.C.B. Layout

△△ SPECIFICATION
 Current:1.5A Max.
 Voltage:30V Max.
 Withstanding Voltage:500V AC
 Contact Resistance:30 Milliohms Max.
 Insulation Resistance:1000 Megohms Min.
 Temperature Range:-55°C~+85°C
 Mating Force:35N Max.
 Withdrawal Force:10N Min.
 Durability:1500 Cycles Min.
△ Contact:Phosphor Bronze,Gold Flash On Contact Area,
 Tin Plated On Solder Tails,Over Nickel
 Insulator:PBT+30%G.F.(UL94V-0)
 Back Cup:PBT+30%G.F.(UL94V-0)
 Shell:Brass,Nickel Plated Over All
 Back Shell:SPCC,Nickel Plated Over All
 RoHS Compliant



Insulator Color	Item No.
White	22038
Black	20131

4UCON 元化興業股份有限公司
 4UCON TECHNOLOGY INC.

DRAWING No. △		APPROVED BY MEI	
20131		CHECKED BY HZF	
SCALE NONE		DRAWING BY CYP	
REV.	A4	UNIT mm	

UNLESS OTHERWISE SPECIFIED TOLERANCES ARE		△ A4	Modify Data	HZF	11/05/2018
.X ±0.38 .X* ±2*		△ A3	Modify Data	HZF	10/21/2013
.XX ±0.25 .XX* ±1*		△ A2	Modify Data	HZF	11/30/2010
.XXX ±0.13 .XXX* ±0.5*		△ A1	Modify Data	HZF	02/05/2010
		△ A0	NEW RELEASE	HZF	06/14/2009
NO.	REV.	REVISIONS		CHK	DATE