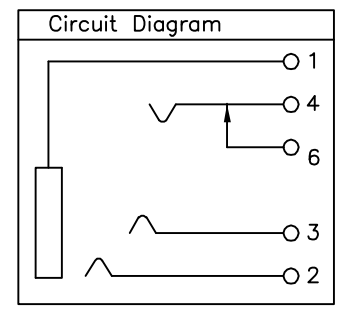
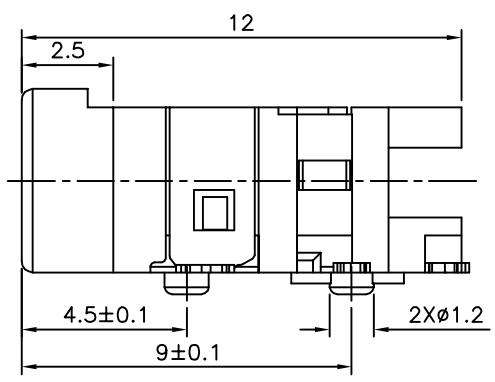
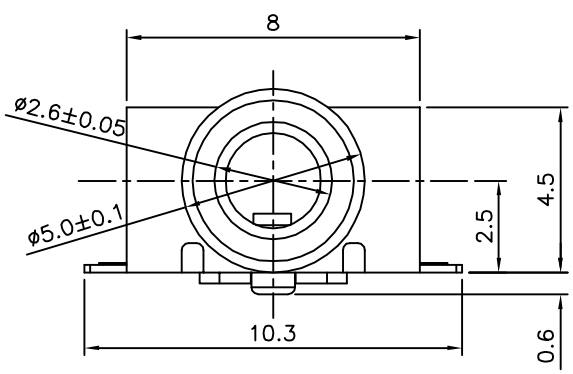


Recommended P.C.B. Layout(Top View)



RoHS Compliant

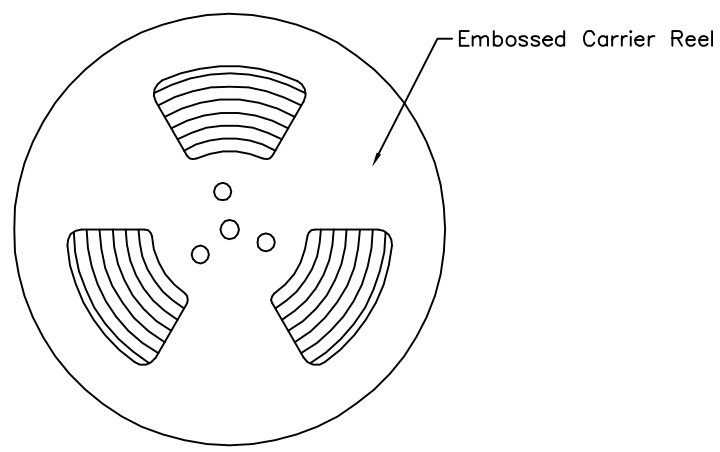
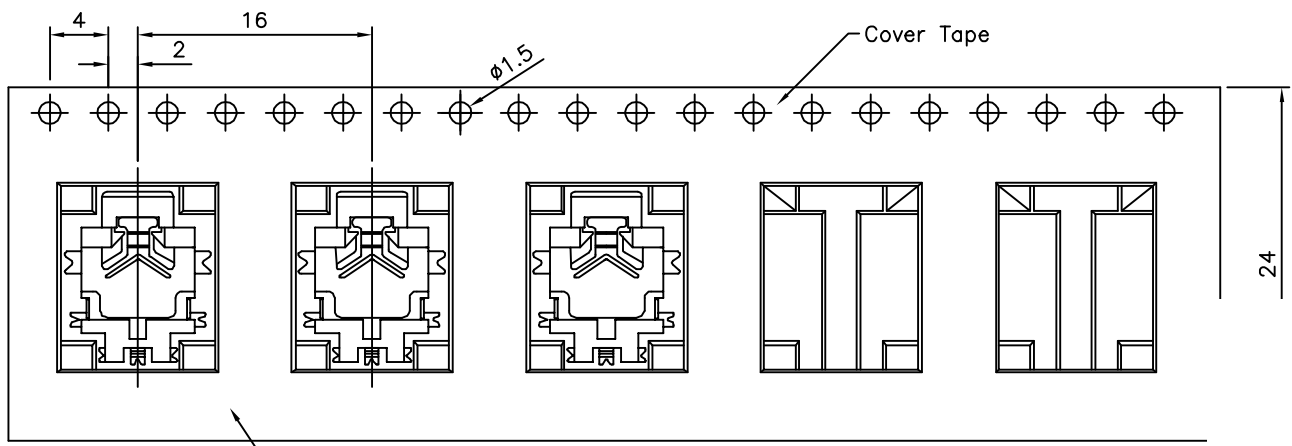
No.	Name	Material	Q'ty	Remark
⑦	Housing	PA9T	1	Black
⑥	Terminal-6#	Brass	1	Silver Plated
④	Terminal-4#	Phosphor Bronze	1	Silver Plated
③	Terminal-3#	Phosphor Bronze	1	Silver Plated
②	Terminal-2#	Phosphor Bronze	1	Silver Plated
①	Terminal-1#	Phosphor Bronze	1	Silver Plated

**4UCON** 元化興業股份有限公司  
4UCON TECHNOLOGY INC.

DRAWING No.		APPROVED BY		UNLESS OTHERWISE SPECIFIED TOLERANCES ARE L<4 ±0.15 4<L<16 ±0.2 16<L<63 ±0.3 ANG. ±5°
20145		EMILY		
		CHECKED BY HZF		
		DRAWING BY WSS		
SCALE	NONE	REV.	A0	UNIT mm

△ A0	NEW RELEASE	HZF	12/23/2010
NO. REV.	REVISIONS	CHK	DATE

**SPECIFICATION**  
 Reel Size:330(D)X29.1(H)  
 The Thickness Of Film:0.35mm  
 Cover Tape:8600X24X0.06mm  
 Packing Temp. Request:105°C~115°C  
 Q'ty:700 PCS/Reel  
 RoHS Compliant



**4UCON** 元化興業股份有限公司  
 4UCON TECHNOLOGY INC.

DRAWING No.		APPROVED BY		UNLESS OTHERWISE SPECIFIED TOLERANCES ARE $L \leq 4 \pm 0.15$ $4 < L \leq 16 \pm 0.2$ $16 < L \leq 63 \pm 0.3$ ANG. $\pm 5^\circ$						
20145		EMILY								
		CHECKED BY								
		HZF								
		DRAWING BY								
		WSS								
SCALE	NONE	REV.	A0	UNIT	mm	NO. REV.	△ A0 NEW RELEASE	CHK	HZF	12/23/2010
							REVISIONS			DATE