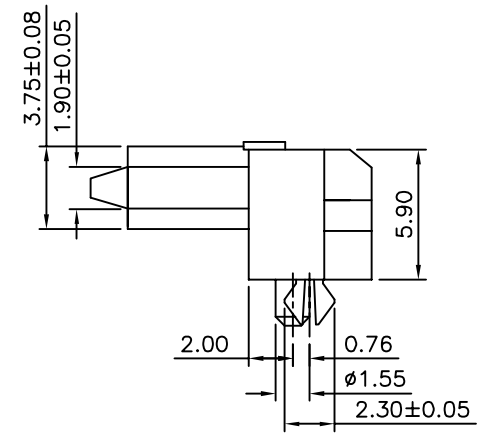
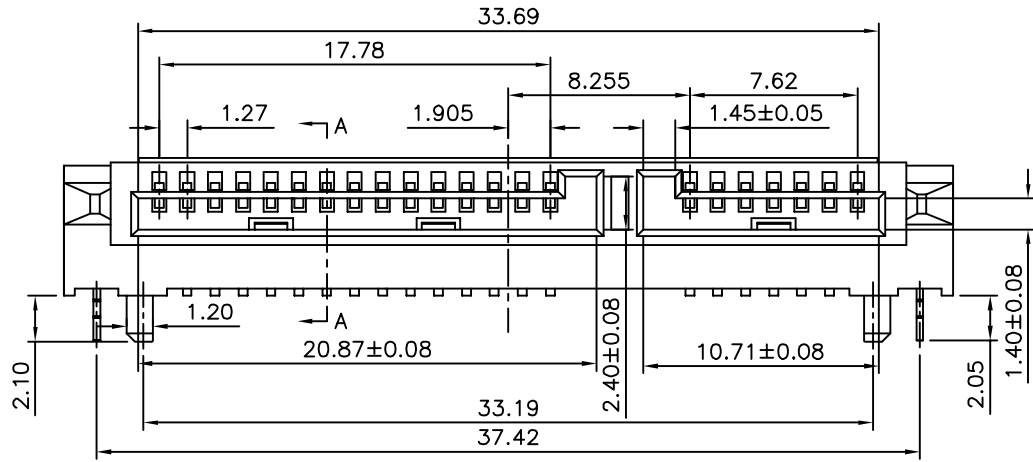
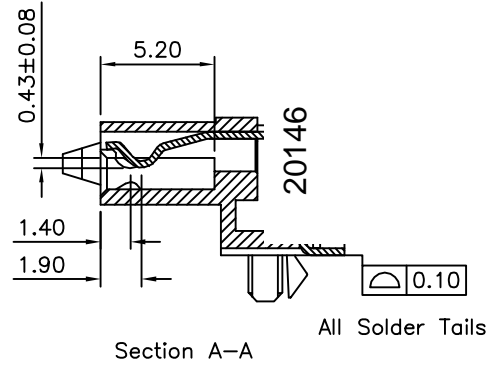
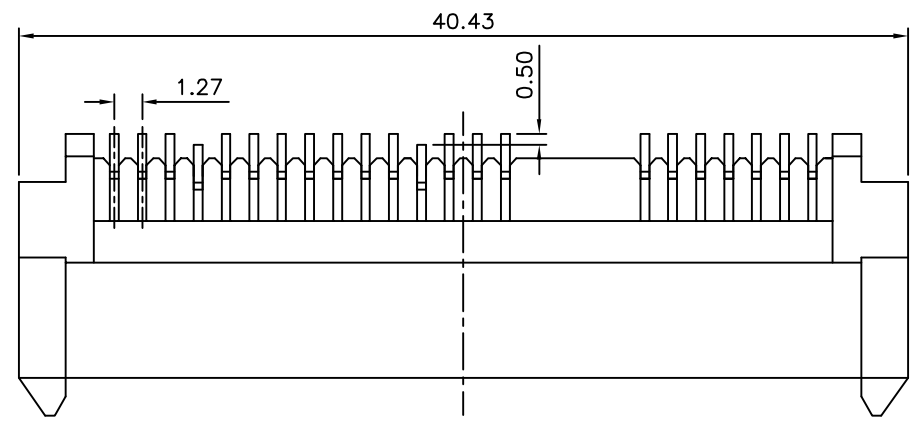


Recommended P.C.B. Layout

SPECIFICATION
 Current Rating:1.5 Amp Per Contact
 Withstand Voltage:500V DC
 Contact Resistance:30 Milliohms Max.
 Insulation Resistance:1000 Megaohms Min.
 Operation Temperature Range:-40°C~+85°C
 Base:LCP(UL94V-0),Black
 Boardlock:Copper Alloy
 Contact:Copper Alloy
 Gold Plated 15u" On Contact Area
 Misty Tin Plated On Solder Tail
 Under Nickel
 RoHS Compliant



4UCON 元化興業股份有限公司
 4UCON TECHNOLOGY INC.

DRAWING No.		APPROVED BY MEI		UNLESS OTHERWISE SPECIFIED TOLERANCES ARE .X ±0.20 .XX ±0.15 ANG. ±3°					
		CHECKED BY HZF							
		DRAWING BY WSS							
SCALE	NONE	REV.	A0	UNIT mm		△ A0	NEW RELEASE	HZF	12/02/2010
						NO. REV.	REVISIONS	CHK	DATE