

Detail X

Pin Type	L	Pin Type
Detect	3.5	25,26
General	4.25	All Other Pins
Power	5.0	1,13,38,50

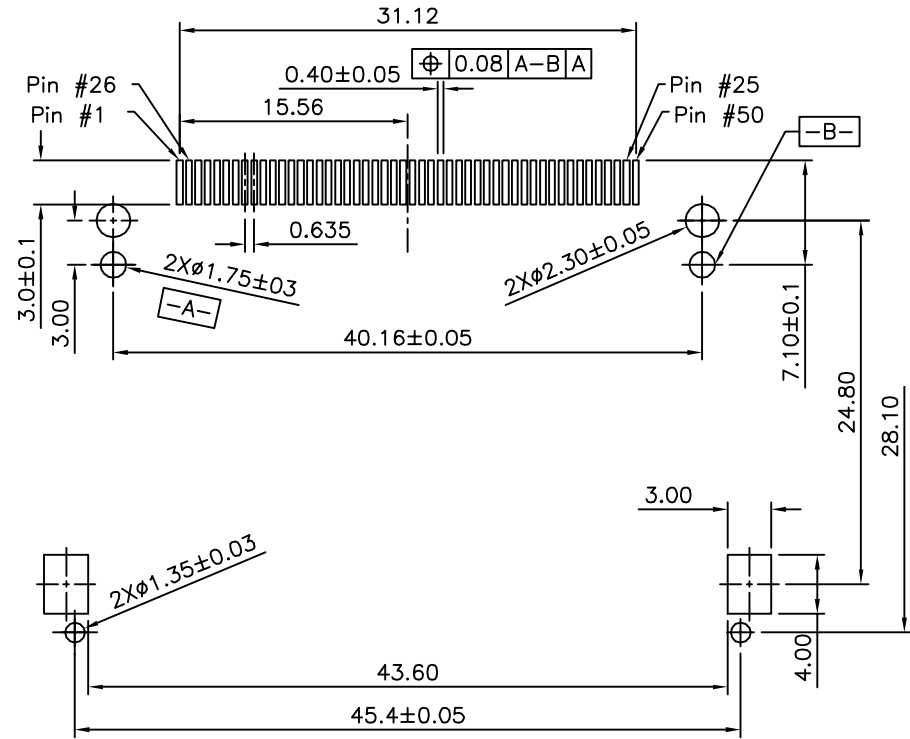
4UCON 元化興業股份有限公司
4UCON TECHNOLOGY INC.

DRAWING No.		APPROVED BY		UNLESS OTHERWISE SPECIFIED TOLERANCES ARE .X ±0.30 X.* ±1* .XX ±0.20 .X.* ±0.5* .XXX ±0.10 .XX* ±0.25*
20186		MEI		
		CHECKED BY	HZF	
		DRAWING BY	WSS	
SCALE	NONE	REV.	A0	UNIT mm

NO.	REV.	DESCRIPTION	CHK	DATE
		A0 NEW RELEASE	HZF	03/19/2011
		REVISIONS	CHK	DATE

SPECIFICATION

1. **General Characteristics**
CF Card 50P Header SMT 90° Type 2 Stand Off
2.0 Normal Type Without Guide Selective Gold Plated 15u"
2. **Material&Finish**
Housing:LCP(UL94V-0),White
Contact:Copper Alloys,Selective Gold Plated 15u"
3. **Electrical Characteristics**
Current Rating:0.5A
Voltage Rating:100V AC
Contact Resistance:40 Milliohms Max.
Insulation Resistance:1000 Megaohms Min.
Dielectric Voltage:500V AC/1 Minute
4. **Environmental Characteristics**
Operating Temperature: -40°C~+85°C
5. **RoHS Compliant**



Recommended P.C.B. Layout

4UCON 元化興業股份有限公司
4UCON TECHNOLOGY INC.

DRAWING No.		APPROVED BY		UNLESS OTHERWISE SPECIFIED TOLERANCES ARE .X ±0.30 X.* ±1* .XX ±0.20 .X.* ±0.5* .XXX ±0.10 .XX.* ±0.25*
20186		MEI		
		HZF		
		DRAWING BY		
		WSS		
SCALE	NONE	REV.	A0	UNIT mm

NO.	REV.	REVISIONS	CHK	DATE
△ A0		NEW RELEASE	HZF	03/19/2011