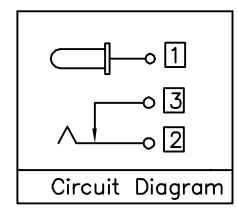
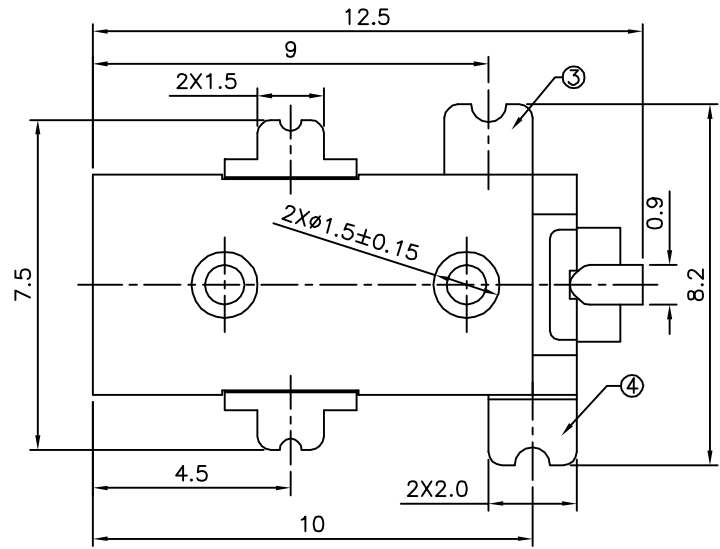
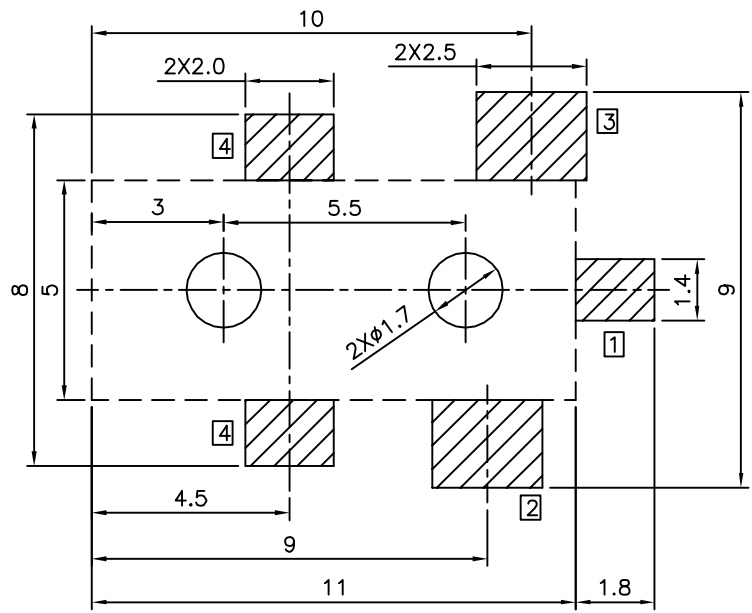


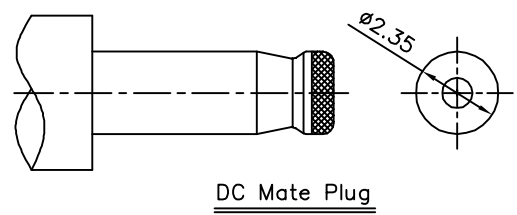
**SPECIFICATION**

Rating: DC 16V,2.5A  
 Contact Resistance: 50 Milliohms Max.  
 After Test: 100 Milliohms Max.  
 Insulation Resistance: 100 Megaohms Min.(500V DC)  
 After Test: 50 Megaohms Min.  
 Withstand Voltage: 500V AC  
 Insertion And Extraction Force: 3~30N  
 Life Test: 5000 Cycles  
 Operation Temperature Range: -20°C~+70°C  
 Preservative Temperature Range: -40~+85°C  
 RoHS Compliant



□:Terminal No.

Recommended P.C.B. Layout(Copper-Sided View)  
 Unspecified Tolerance:±0.05

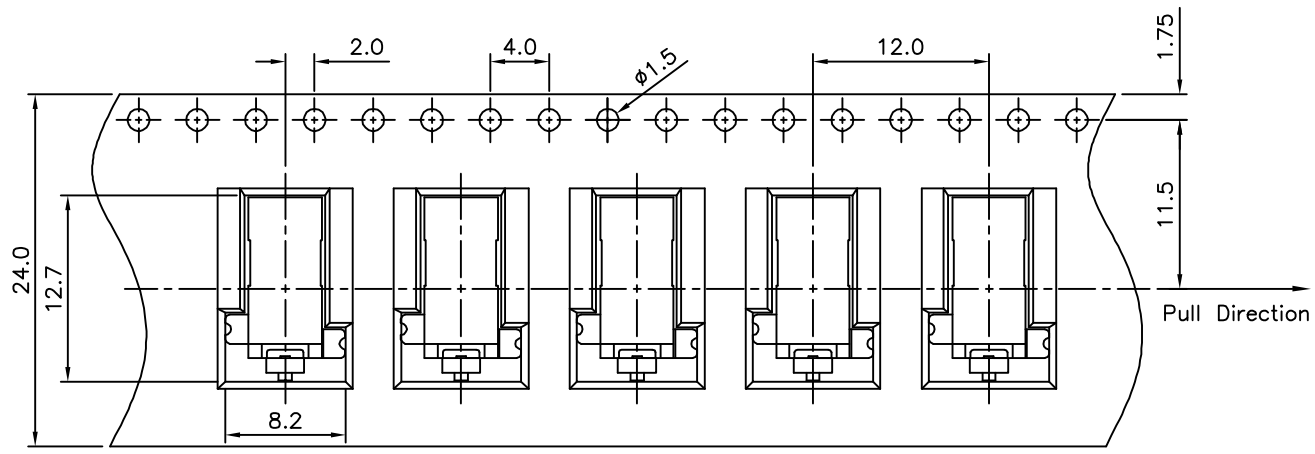


DC Mate Plug

No.	Description	Q'ty	Material	Remark
①	Housing	1	PA9T,UL94V-0	Black
②	Center Pin	1	Brass	Silver Plated
③	Tip Spring	1	Stainless Steel	Silver Plated
④	Shunt Terminal	1	Brass	Silver Plated
⑤	Shell	1	Brass	Silver Plated

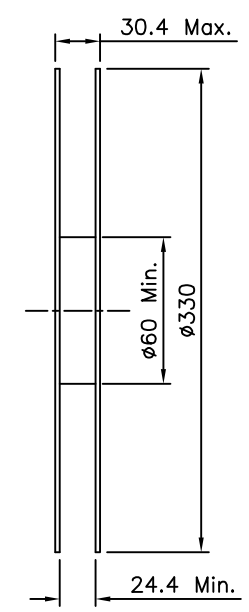
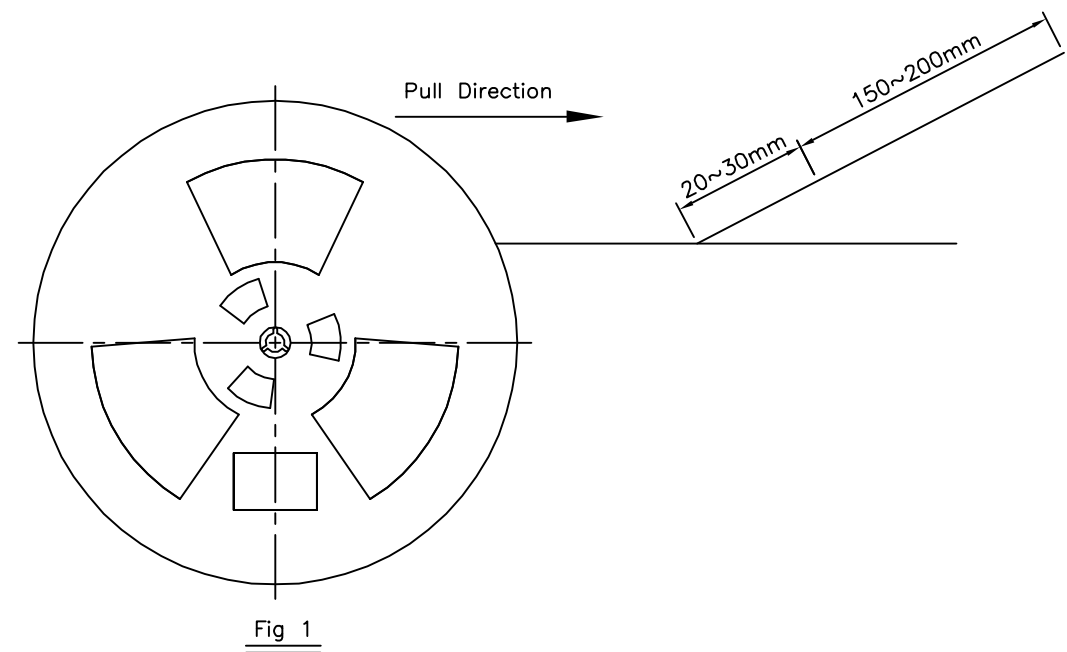
**4UCON** 元化興業股份有限公司  
 4UCON TECHNOLOGY INC.

DRAWING No.		APPROVED BY		UNLESS OTHERWISE SPECIFIED TOLERANCES ARE X. ±0.3 .X ±0.3 .XX ±0.3 ANG. ±2°					
20268		EMILY							
		CHECKED BY							
		HZF							
		DRAWING BY							
		SONG							
SCALE	NONE	REV.	A0	UNIT	mm	△ A0	NEW RELEASE	HZF	09/13/2011
				NO.	REV.	REVISIONS		CHK	DATE



**SPECIFICATION**

- 1) The Connector Can Not Be Loaded On The Position Of Length 240~360mm In The Reel Tape And Lead Tape. The Cover Tape With 20~30mm Length Shall Not Be Adhesive On The Lead Tape And The Cover Tape Is Lead Portion Shall Have 150~200mm Length (Refer Fig 1)
  - 2) Tape Shall Turn On Right Direction
  - 3) The Direction Of Connector Is Fixed Regarding The Position Of Terminal, Please Refer Outline Drawing
  - 4) After Winding, Using The Adhesive Tape (30~50mm) To Stick The Leader Of Cover Tape On The Side Of Reel
  - 5) One Reel Can Be Loaded 800 PCS Connector
  - 6) The Label Shall Be Pasted On The Front Side Of Reel
  - 7) Condition Of 300mm Per Minute, The Extraction Strength Of Cover Tape Shall Reach 20~150 gf
- RoHS Compliant



**4UCON** 元化興業股份有限公司  
4UCON TECHNOLOGY INC.

DRAWING No.		APPROVED BY		UNLESS OTHERWISE SPECIFIED TOLERANCES ARE .X ±0.38 .XX ±0.25 ANG.
20268		EMILY		
		CHECKED BY HZF		
		DRAWING BY SONG		
SCALE	NONE	REV.	A0	UNIT mm

NO.	REV.	REVISIONS	CHK	DATE
△ A0		NEW RELEASE	HZF	09/13/2011