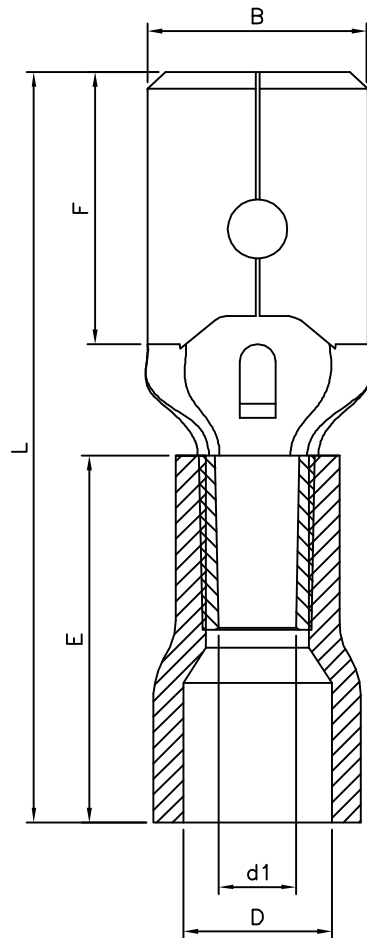


**SPECIFICATION**

Voltage Rating:300V Max. At 75°C  
Current:

AWG	22	20	18	16
Amp Max.	3	4	7	10

Insulator:PVC  
Material:Brass,Tin Plated Over Nickel  
RoHS Compliant



Wire Range AWG/mm <sup>2</sup>	Color	Item No.	Nema Tab	B±0.20	F±0.30	L±1.00	E±0.60	D±0.30	d1±0.20
22~16 AWG 0.5~1.5mm <sup>2</sup>	Red	20346	0.8X4.8	4.8	7.8	20.5	10.0	4.0	1.7

**4UCON** 元化興業股份有限公司  
4UCON TECHNOLOGY INC.

DRAWING No.

20346

APPROVED BY

EMILY

CHECKED BY

HZF

DRAWING BY

GAO

UNLESS OTHERWISE SPECIFIED TOLERANCES ARE  
.X ±0.38  
.XX ±0.25  
ANG.

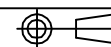
SCALE

NONE

REV.

A0

UNIT  
mm



NO. REV.

A0 NEW RELEASE

REVISIONS

HZF

CHK

01/12/2012

DATE