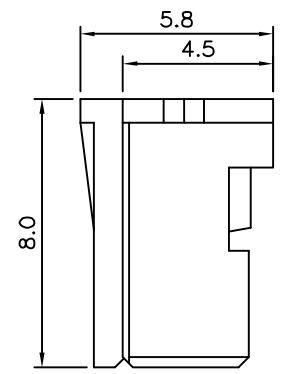
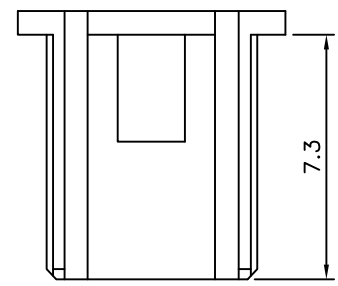
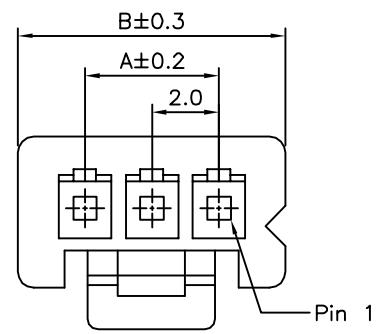
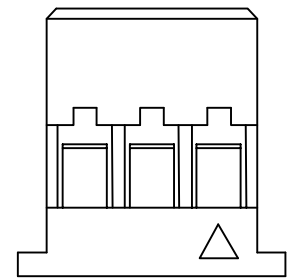


SPECIFICATION

Current Rating:3A AC/DC Max. AWG#22
 Voltage Rating:250V AC/DC
 Withstand Voltage:800V AC/Minute
 Contact Resistance:20 Milliohms Max.
 Insulation Resistance:1000 Megaohms Min.
 Temperature Range:-25°C~+85°C
 Housing:PA66(UL94V-0),Natural Color
 RoHS Compliant



Pin	A	B
02	2.0	6.0
03	4.0	8.0
04	6.0	10.0

4UCON 元化興業股份有限公司
 4UCON TECHNOLOGY INC.

DRAWING No.		APPROVED BY		UNLESS OTHERWISE SPECIFIED TOLERANCES ARE .X ±0.25 .XX ±0.20 ANG.
20367		EMILY		
		CHECKED BY		
		HZF		
		DRAWING BY		
		GAO		
SCALE	NONE	REV.	A0	UNIT
				mm

NO.	REV.	REVISIONS	CHK	DATE
△ A0		NEW RELEASE	HZF	02/09/2012