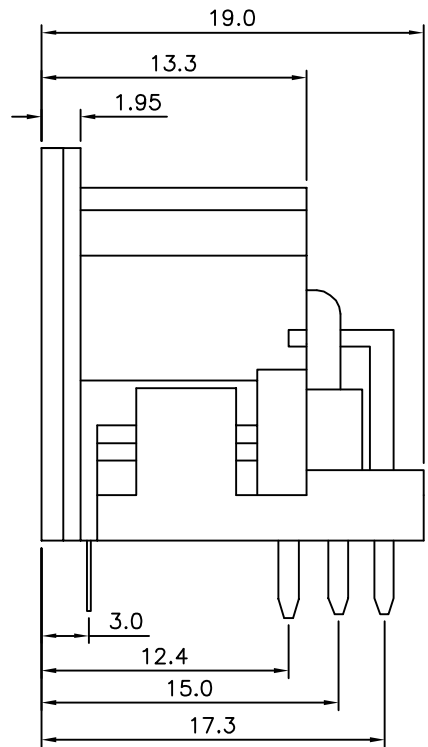
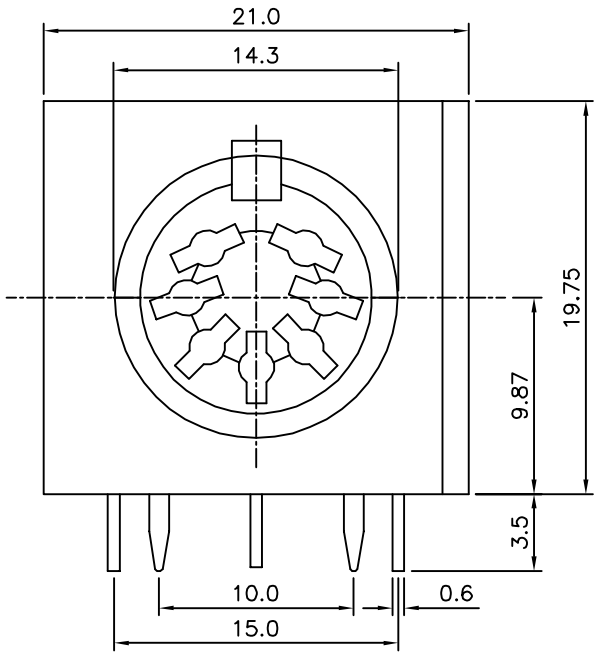


Recommended P.C.B. Layout



SPECIFICATION

Rated Voltage/Rated Current:DC 30V/0.5A
 Withstand Voltage: 250V AC For 1 Minute
 Contact Resistance:30 Milliohms Max.
 Insulation Resistance:100 Megohms Min.
 RoHS Compliant

| No. | Description | Q'ty | Material | Remark |
|-----|-------------|------|-------------|------------|
| ④ | Housing | 1 | PBT,UL94V-0 | Black |
| ③ | Cover | 1 | PBT,UL94V-0 | Black |
| ② | Spring | 1 | Brass | Tin Plated |
| ① | Terminals | 7 | Brass | Tin Plated |

4UCON 元化興業股份有限公司
 4UCON TECHNOLOGY INC.

DRAWING No. 20687

APPROVED BY EMILY
 CHECKED BY HZF
 DRAWING BY HAO

UNLESS OTHERWISE SPECIFIED TOLERANCES ARE
 .X ±0.2
 .XX ±0.10
 .XXX ±0.05
 ANG. ±0.5°

SCALE NONE REV. A0 UNIT mm

| NO. | REV. | REVISIONS | CHK | DATE |
|------|------|-------------|-----|------------|
| △ A0 | | NEW RELEASE | HZF | 08/12/2014 |