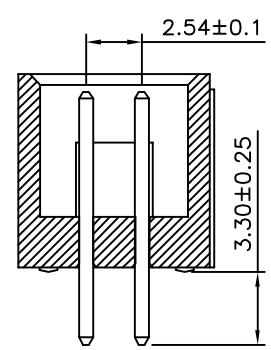
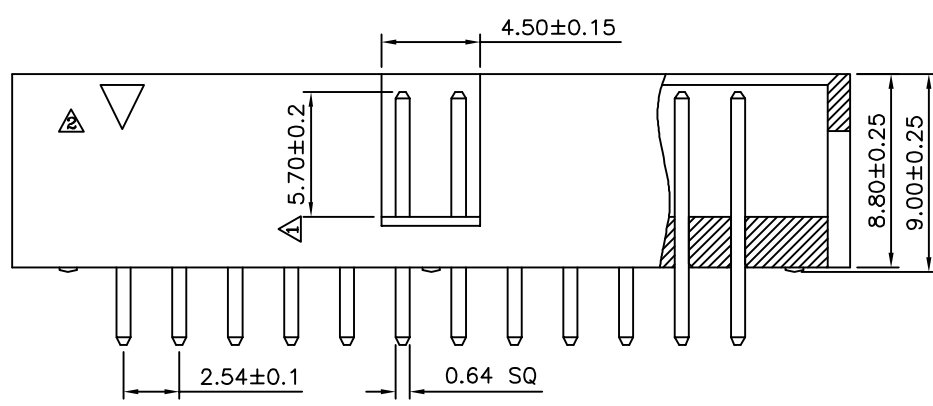
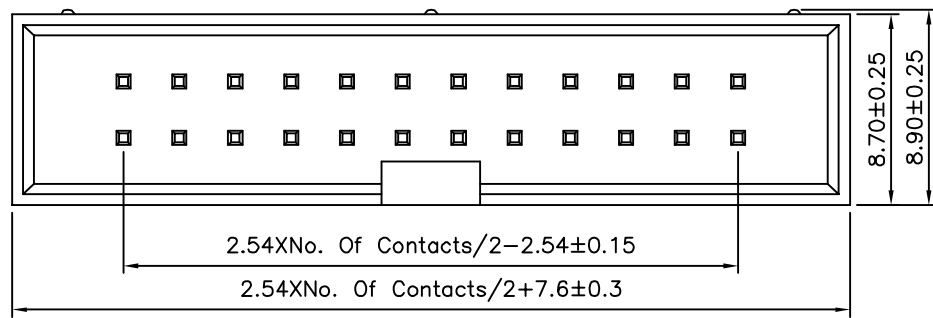


Recommended P.C.B. Layout
PCB Tolerance: ±0.05 (Top View)

SPECIFICATION
 Current Rating: 3 Amp
 Withstand Voltage: 1000V AC
 Contact Resistance: 20 Milliohms Max.
 Insulation Resistance: 1000 Megaohms Min.
 Operation Temperature: -40°C ~ +105°C
 Insulator: PBT(UL94V-0), Gray
 Contact: Brass, Gold Flash Over Nickel
 RoHS Compliant



4UCON 元化興業股份有限公司
4UCON TECHNOLOGY INC.

DRAWING No.		APPROVED BY		UNLESS OTHERWISE SPECIFIED TOLERANCES ARE	
20700		EMILY		X. ±0.25 X.* ±2°	
		CHECKED BY		.X ±0.20 .X* ±1.5°	
		HZF		.XX ±0.15 .XX* ±1°	
		DRAWING BY		.XXX ±0.10 .XXX* ±0.5°	
		YBL		UNIT	
SCALE	NONE	REV.	A2	mm	

NO.	REV.	REVISIONS	CHK	DATE
A2		Modify Data	HZF	11/20/2013
A1		Modify Data	HZF	09/03/2013
A0		NEW RELEASE	HZF	12/14/2010