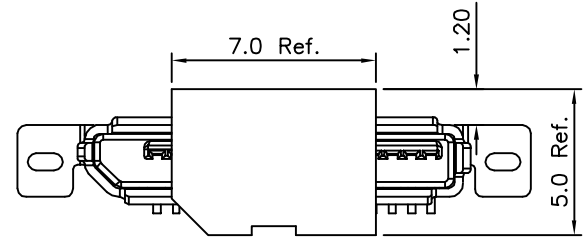
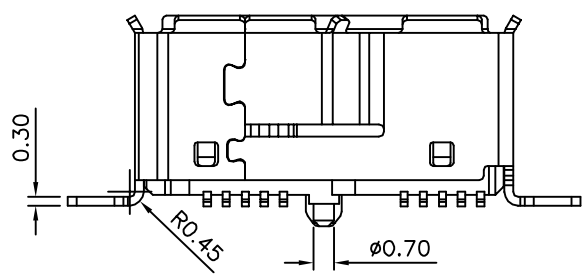
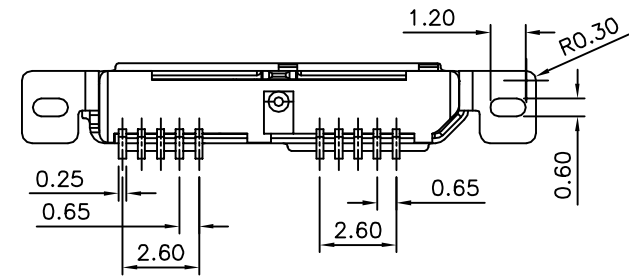
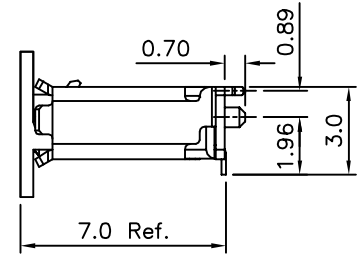
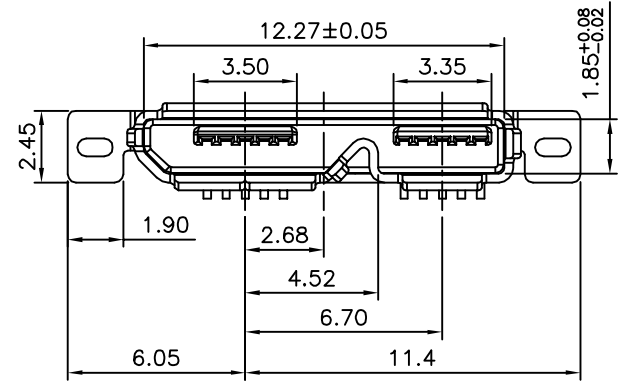


Recommended P.C.B. Layout

△ SPECIFICATION
 Current Rating:1.5A Max.
 Withstanding Voltage:100V AC RMS
 Insulation Resistance:100 Megaohms Min.
 Contact Resistance:30 Milliohms Max.
 Operation Temperature:-20°C~+60°C
 Total Mating Force:3.5 Kgf Max.
 Total Unmating Force:1.00 Kgf Min.
 Durability:10000 Cycles
 Insulator:LCP(UL94V-0),Black
 Contact:Copper Alloy,Gold Flash On Contact Area,Tin Plated On Solder Tails,Over Nickel
 Shell:SUS304,Nickel Plated
 RoHS Compliant



4UCON 元化興業股份有限公司
 4UCON TECHNOLOGY INC.

DRAWING No.		APPROVED BY		UNLESS OTHERWISE SPECIFIED TOLERANCES ARE X. ±0.50 X.* ±3* .X ±0.25 .X* ±2* .XX ±0.15 .XX* ±1* .XXX ±0.10 .XXX* ±0.5*	
20795		MEI			
		CHECKED BY HZF			
		DRAWING BY CYP			
SCALE	NONE	REV.	A1	UNIT	mm

NO.	REV.	REVISIONS	CHK	DATE
△ A1		Modify Data	HZF	10/13/2015
△ A0		NEW RELEASE	HZF	09/21/2012