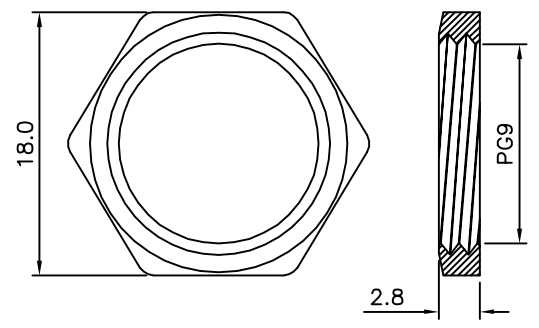
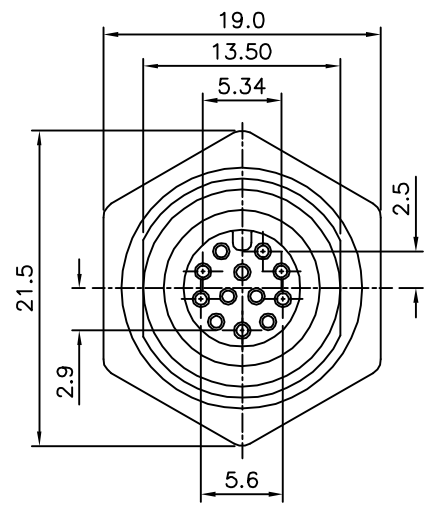
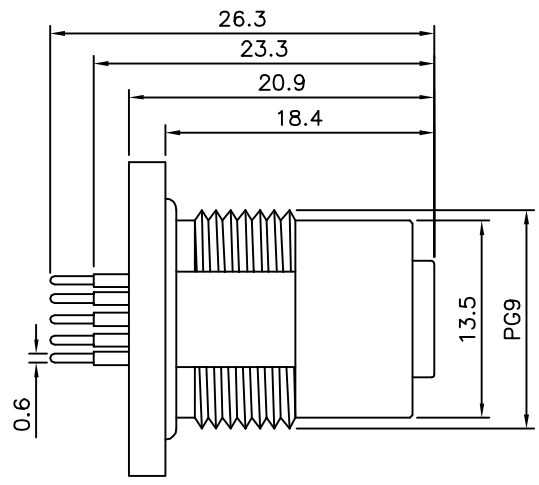
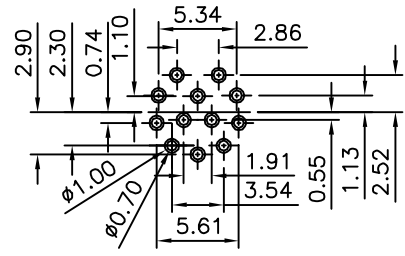


**SPECIFICATION**  
 Current Rating:1A  
 Voltage Rating:30V  
 Operation Temperature:-20°C~+85°C  
 Housing:PBT(UL94V-0),Black  
 Contact:Brass,Gold Plated Over Nickel  
 Nut:Brass,Nickel Plated  
 Shell:Brass,Nickel Plated  
 O-Ring:EPDM  
 Water Proof:IPX7  
 RoHS Compliant



Nut



Recommended P.C.B. Layout

**4UCON** 元化興業股份有限公司  
 4UCON TECHNOLOGY INC.

DRAWING No.		APPROVED BY		UNLESS OTHERWISE SPECIFIED TOLERANCES ARE .X ±0.3 .XX ±0.20 ANG.
20805		MEI		
		CHECKED BY		
		HZF		
		DRAWING BY		
		CYP		
SCALE	NONE	REV.	A0	UNIT
				mm

NO.	REV.	REVISIONS	CHK	DATE
△ A0		NEW RELEASE	HZF	08/19/2015