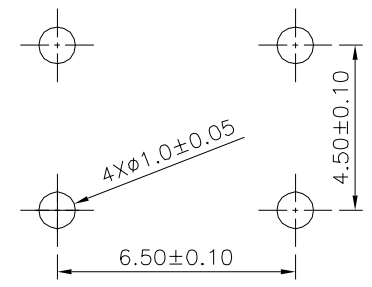
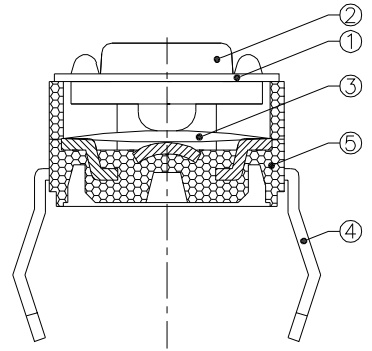
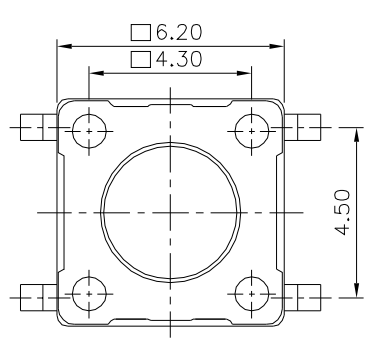
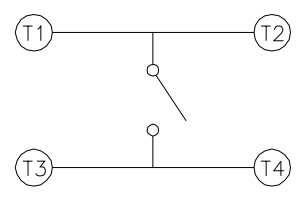
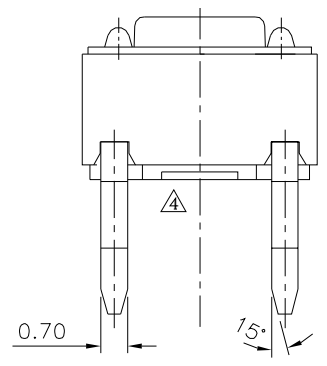
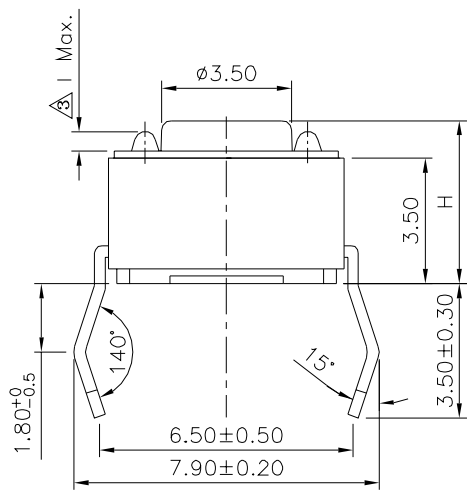


△△ SPECIFICATION

Current Range:50mA,12V DC
 Dielectric Withstand Voltage:250V AC(50Hz Or 60Hz)
 For 1 Minute
 Contact Resistance:100 Milliohms Max.
 Insulation Resistance:100 Megaohms Min.
 Operation Temperature Range:-25°C~+70°C
 Storage Temperature Range:-30°C~+80°C
 RoHS Compliant



Recommended P.C.B. Layout



Circuit Diagram

| Stem color | Operating force |
|-----------------|-----------------|
| Brown(Standard) | 160g |
| Black | 100g |
| Blue | 70g |
| Red | 260g |
| Orange | 320g |
| Yellow | 520g |

| △ Dim. H | Dim. I |
|----------------|--------|
| 4.3 (Standard) | 0.5 |
| 5.0 | 0.6 |
| 7.0 | |
| 9.5 | |
| 13.0 | |

| △ | NO. | Description | Q'ty | Material | Remark |
|---|-----|-------------|------|-----------------|-----------------|
| ⑤ | 1 | Base | 1 | PA66,UL94V-0 | Black |
| ④ | 1 | Terminal | 1 | Brass | Silver Plated |
| ③ | 1 | Contact | 1 | Phosphor Bronze | Silver Cladding |
| ② | 1 | Stem | 1 | PA66,UL94V-0 | |
| ① | 1 | Cover | 1 | Stainless Steel | |

4U CON 元化興業股份有限公司
 4U CON TECHNOLOGY INC.

| | | | | |
|-------------|----|-------------|--|--|
| DRAWING No. | | APPROVED BY | | UNLESS OTHERWISE SPECIFIED TOLERANCES ARE .X ±0.20 .XX ±0.20 |
| 20886 | | EMILY | | |
| | | HZF | | |
| SCALE | | DRAWING BY | | UNIT mm |
| NONE | | SONG | | |
| REV. | A4 | NO. | | REVISIONS |

| NO. | REV. | REVISIONS | CHK | DATE |
|-----|------|-------------|-------|------------|
| △ | A4 | Modify Data | HZF | 08/25/2014 |
| △ | A3 | Modify Data | HZF | 08/03/2010 |
| △ | A2 | Modify Data | HZF | 07/26/2010 |
| △ | A1 | Modify Data | HZF | 06/23/2010 |
| △ | A0 | NEW RELEASE | BECKY | 04/14/2005 |