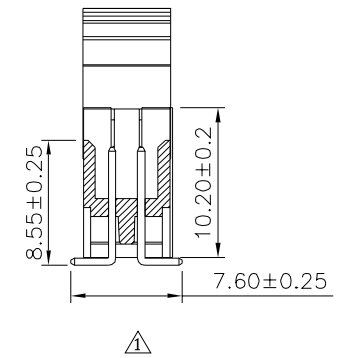
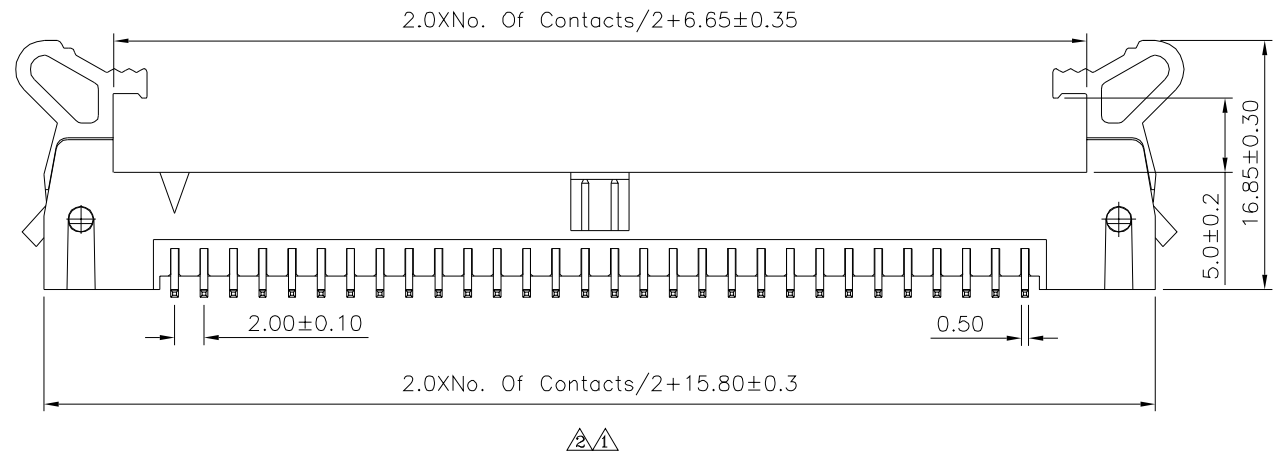
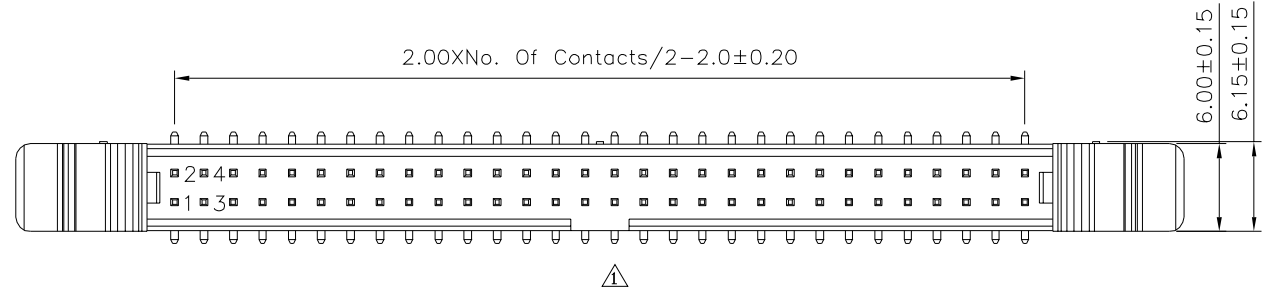


Recommended P.C.B. Layout (Top View) \triangle
(PCB Board Tolerance ± 0.05)

SPECIFICATION
 Current Rating: 1.5 Amps
 Withstanding Voltage: 500V Min. AC/Minute
 Contact Resistance: 20 Milliohms Max.
 Insulation Resistance: 1000 Megaohms Min.
 Operation Temperature: $-40^{\circ}\text{C} \sim +105^{\circ}\text{C}$
 Insulator: PA6T (UL94V-0), Black
 Contact: Brass, Gold Plated Over Nickel
 RoHS Compliant



4UCON 元化興業股份有限公司
4UCON TECHNOLOGY INC.

DRAWING No.		APPROVED BY		UNLESS OTHERWISE SPECIFIED TOLERANCES ARE X. ± 0.25 X.* $\pm 2^{\circ}$.X ± 0.20 .X* $\pm 1.5^{\circ}$.XX ± 0.15 .XX* $\pm 1^{\circ}$.XXX ± 0.10 .XXX* $\pm 0.5^{\circ}$
20909		MEI		
		CHECKED BY		
		HZF		
		DRAWING BY		
		CYP		
SCALE	NONE	REV.	A2	UNIT
				mm

NO.	REV.	REVISIONS	CHK	DATE
\triangle	A2	Modify Data	HZF	04/10/2019
\triangle	A1	Modify Data	HZF	10/08/2016
\triangle	A0	NEW RELEASE	HZF	06/03/2013