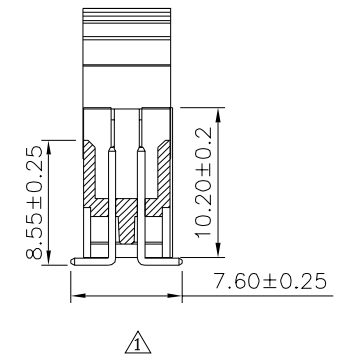
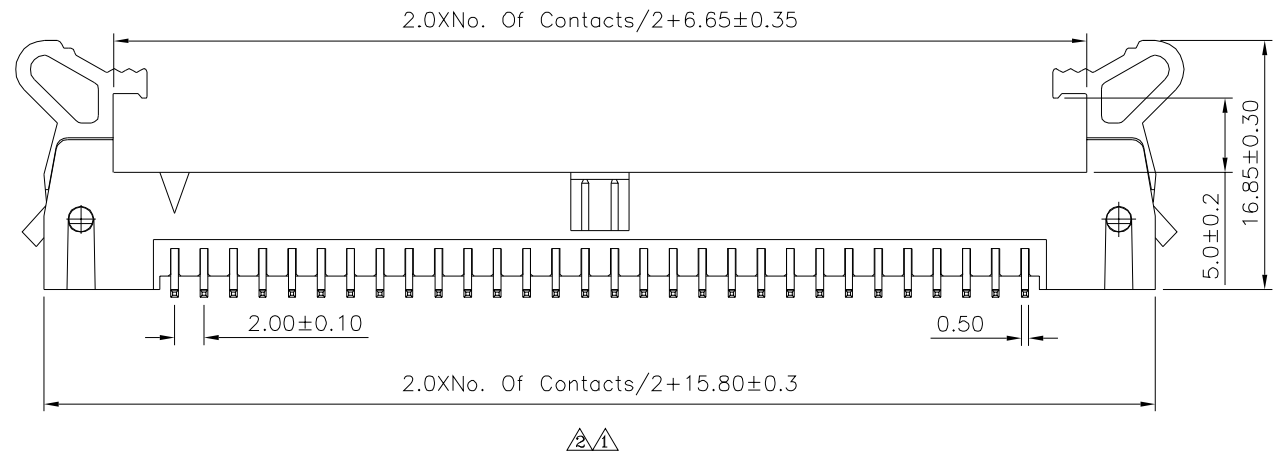
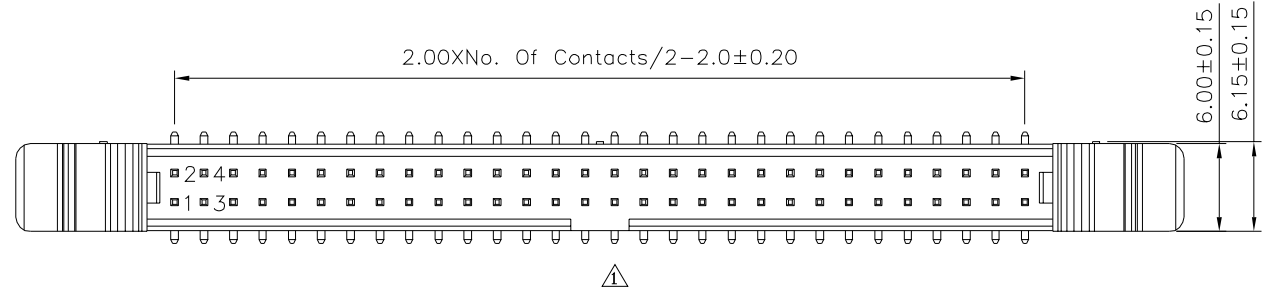


Recommended P.C.B. Layout (Top View)  $\triangle$   
(PCB Board Tolerance  $\pm 0.05$ )

$\triangle$  SPECIFICATION  
 Current Rating: 1.5 Amps  
 Withstanding Voltage: 500V Min. AC/Minute  
 Contact Resistance: 20 Milliohms Max.  
 Insulation Resistance: 1000 Megaohms Min.  
 Operation Temperature:  $-40^{\circ}\text{C} \sim +105^{\circ}\text{C}$   
 Insulator: PA6T(UL94V-0), Black  
 Contact: Brass, Gold Plated Over Nickel  
 RoHS Compliant



**4UCON** 元化興業股份有限公司  
 4UCON TECHNOLOGY INC.

DRAWING No.		APPROVED BY		UNLESS OTHERWISE SPECIFIED TOLERANCES ARE X. $\pm 0.25$ X.* $\pm 2^{\circ}$ .X $\pm 0.20$ .X* $\pm 1.5^{\circ}$ .XX $\pm 0.15$ .XX* $\pm 1^{\circ}$ .XXX $\pm 0.10$ .XXX* $\pm 0.5^{\circ}$
20911		MEI		
		HZF		
SCALE NONE		DRAWING BY		UNIT
		REV. A2		mm

NO.	REV.	REVISIONS	CHK	DATE
$\triangle$	A2	Modify Data	HZF	04/10/2019
$\triangle$	A1	Modify Data	HZF	10/08/2016
$\triangle$	A0	NEW RELEASE	HZF	06/03/2013