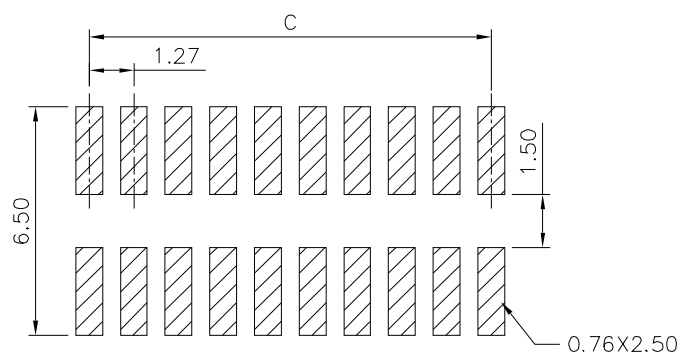
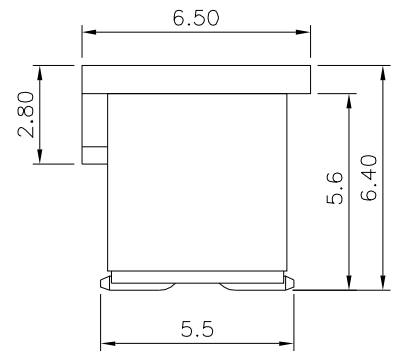
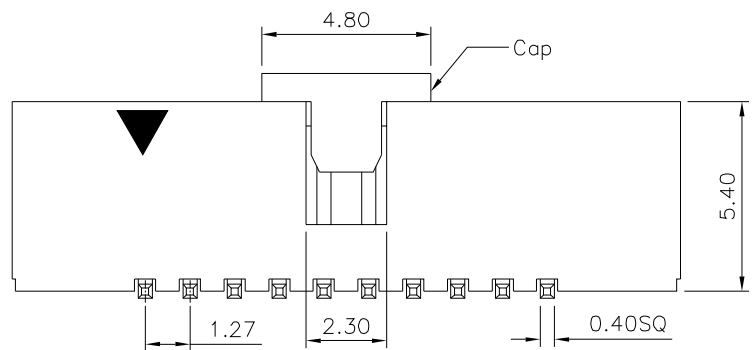
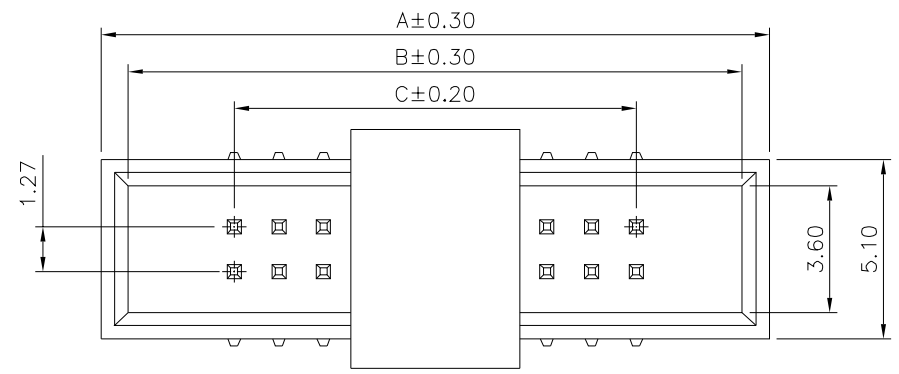


**SPECIFICATION**  
 Current Rating:1.0 Amp Max.  
 Dielectric Withstand Voltage:600V AC RMS  
 For 60 Seconds  
 Insulation Resistance:1000 Megaohms Min.  
 At 500V DC  
 Operation Temperature:-55°C To +105°C  
 ⚠ Contact:Brass,Gold Flash Over All,Over Nickel  
 Insulator:LCP(UL94V-0),Black  
 RoHS Compliant



Recommended P.C.B. Layout(Top View)



Pin	A	B	C
10	12.65	11.10	5.08
12	13.92	12.37	6.35
14	15.19	13.64	7.62
16	16.46	14.91	8.89
20	19.00	17.45	11.43
24	21.54	19.99	13.97
26	22.81	21.26	15.24
28	24.08	22.53	16.51
30	25.35	23.80	17.78
34	27.89	26.34	20.32
40	31.70	30.15	24.13
44	34.24	32.69	26.67
50	38.05	36.50	30.48
60	44.40	42.85	36.83
64	46.94	45.39	39.37
68	49.48	47.93	41.91
80	57.10	55.55	49.53
100	69.80	68.25	62.23

**4UCON** 元化興業股份有限公司  
 4UCON TECHNOLOGY INC.

DRAWING No.		APPROVED BY		UNLESS OTHERWISE SPECIFIED TOLERANCES ARE .X ±0.30 .XX ±0.20 .XXX ±0.10
20912		MEI		
		CHECKED BY		
		HZF		
		DRAWING BY		UNIT mm
		CYP		
SCALE	NONE	REV.	A1	

NO.	REV.	REVISIONS	CHK	DATE
⚠	A1	Modify Spec.	HZF	10/06/2016
⚠	A0	NEW RELEASE	HZF	06/09/2014