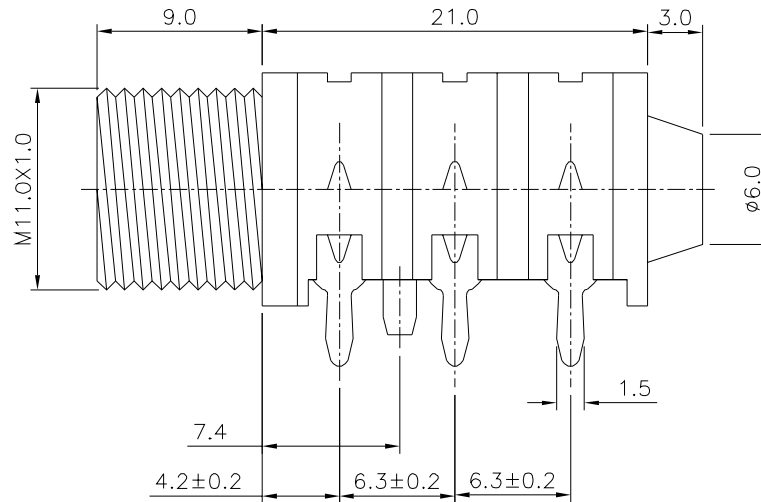
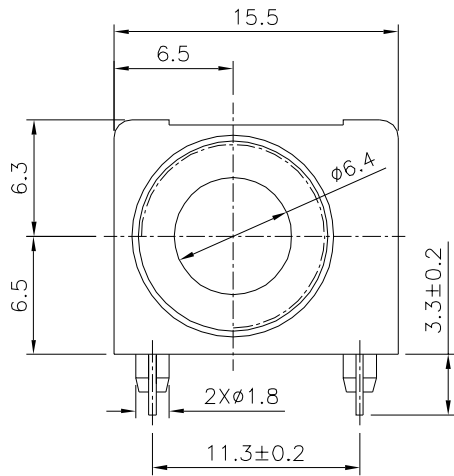


Recommended P.C.B. Layout  
Tolerance: ±0.1 (Top View)



RoHS Compliant

No.	Part Name	Q'ty	Material	Remark
③	Contact Foot	3	C2680	Silver Plated
②	Spring	3	C5191	Silver Plated
①	Housing	1	PBT,UI94V-0	Black

**4UCON** 元化興業股份有限公司  
4UCON TECHNOLOGY INC.

DRAWING No.

20937

APPROVED BY

MEI

CHECKED BY

HZF

DRAWING BY

CYP

SCALE

NONE

REV.

A0

UNLESS OTHERWISE SPECIFIED TOLERANCES ARE

.X ±0.30

.XX ±0.30

UNIT mm



△ A0

NEW RELEASE

HZF

05/30/2016

NO. REV.

REVISIONS

CHK

DATE