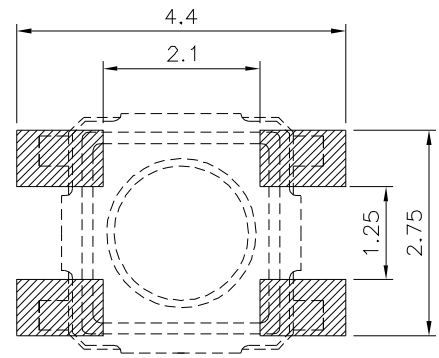
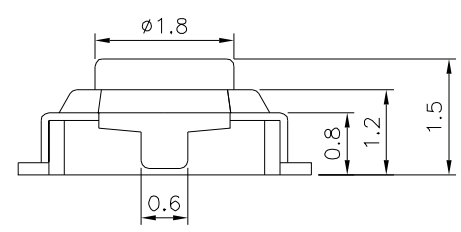
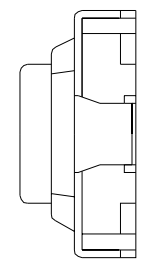
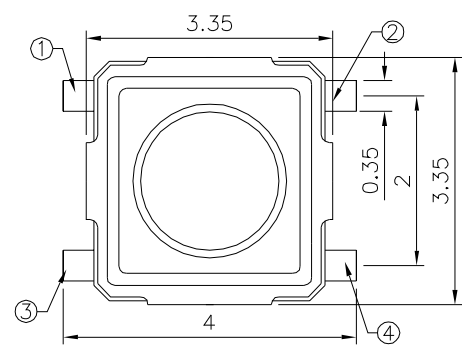
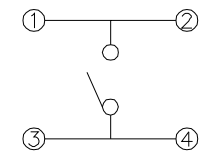


**△ SPECIFICATION**  
 Rating: 50mA 12V DC  
 Travel: 0.2±0.1mm  
 Contact Resistance: 100 Milliohms Max.(Initial)  
 Insulation Resistance: 100 Megaohms Min.  
 At 100V DC  
 Withstand Voltage: 100V AC For 1 Minute  
 Operating Force: 160g  
 Life: 100000 Cycles  
 Operation Temperature Range: -20°C~+70°C  
 Stem: LCP  
 Cover: Stainless Steel  
 Dust Cover: PI Film  
 Contact: Stainless Steel, Silver Plated  
 Case: LCP  
 Terminal: Phosphor Bronze, Silver Plated  
 RoHS Compliant



Recommended P.C.B. Layout



**4UCON** 元化興業股份有限公司  
 4UCON TECHNOLOGY INC.

DRAWING No. <b>△</b>		APPROVED BY		UNLESS OTHERWISE SPECIFIED TOLERANCES ARE .X ±0.3 .XX ±0.3 ANG.
<b>21017</b>		MEI		
		CHECKED BY HZF		
SCALE		DRAWING BY CYP		UNIT mm
NONE		REV. A2		

NO.	REV.	REVISIONS	CHK	DATE
△ A2		Modify Data	HZF	11/25/2020
△ A1		Modify Data	HZF	06/09/2020
△ A0		NEW RELEASE	HZF	11/08/2016