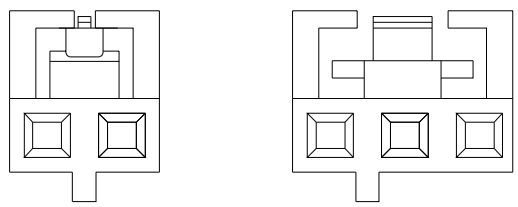


**SPECIFICATION**

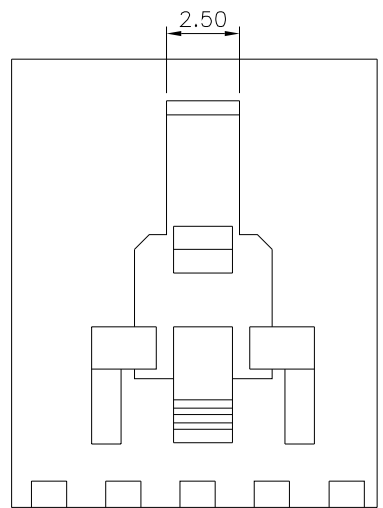
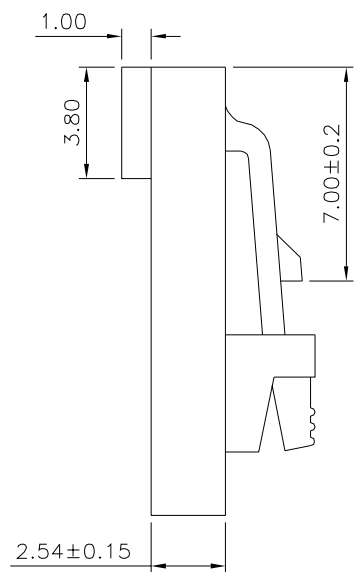
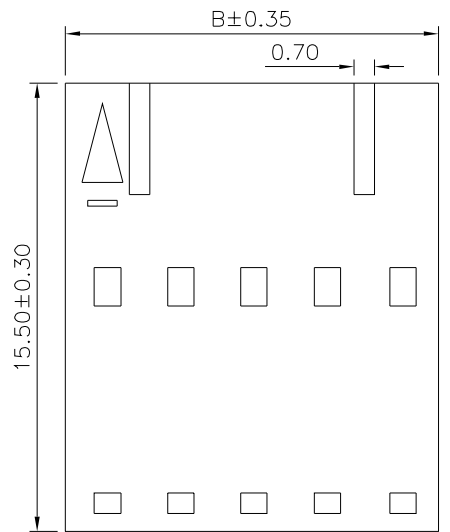
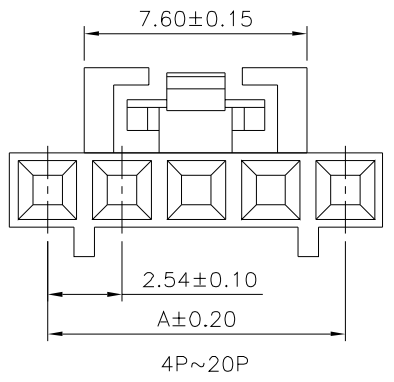
Current Rating:3A AC/DC  
 Voltage Rating:150V AC/DC  
 Withstanding Voltage:1000V AC/Minute  
 Contact Resistance:10 Milliohms Max.  
 Insulation Resistance:500 Megaohms Min.  
 Operation Temperature:-25°C~+85°C  
 Insulator:PA66+15%G.F.(UL94V-0)  
 RoHS Compliant

Latch And Polarization Rib Location



2P

3P



Pin	A	B
02	2.54	5.08
03	5.08	7.62
04	7.62	10.16
05	10.16	12.70
06	12.70	15.24
07	15.24	17.78
08	17.78	20.32
09	20.32	22.86
10	22.86	25.40
11	25.40	27.94
12	27.94	30.48
13	30.48	33.02
14	33.02	35.56
15	35.56	38.10
16	38.10	40.64
17	40.64	43.18
18	43.18	45.72
19	45.72	48.26
20	48.26	50.80

**4UCON** 元化興業股份有限公司  
 4UCON TECHNOLOGY INC.

DRAWING No.		APPROVED BY		UNLESS OTHERWISE SPECIFIED TOLERANCES ARE X. ±0.30 .X ±0.25 .XX ±0.20 .XXX ±0.015
21045		MEI		
		CHECKED BY	HZF	
		DRAWING BY	SONG	
SCALE	NONE	REV.	A0	UNIT mm

△ A0	NEW RELEASE	HZF	10/03/2012
NO. REV.	REVISIONS	CHK	DATE