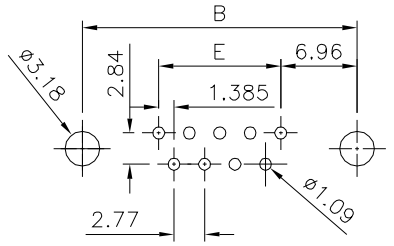
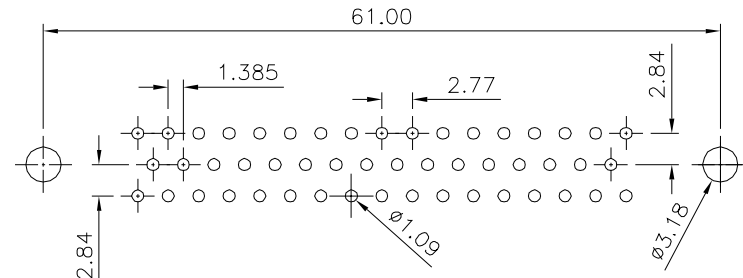


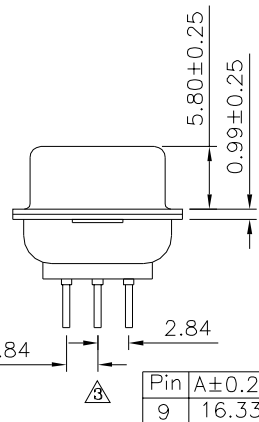
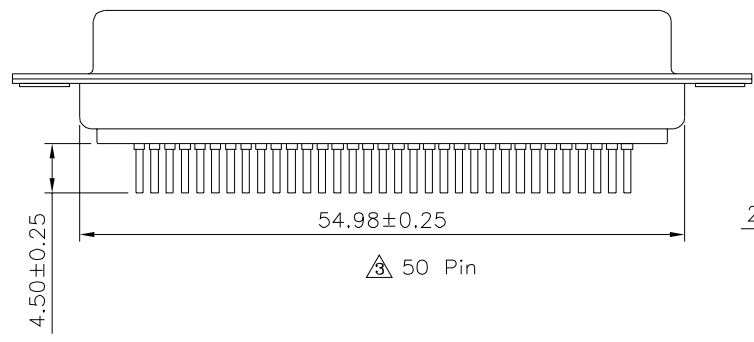
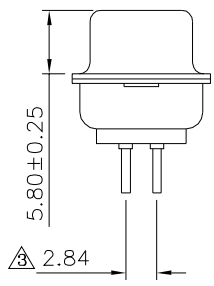
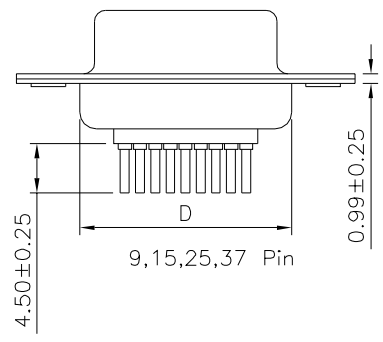
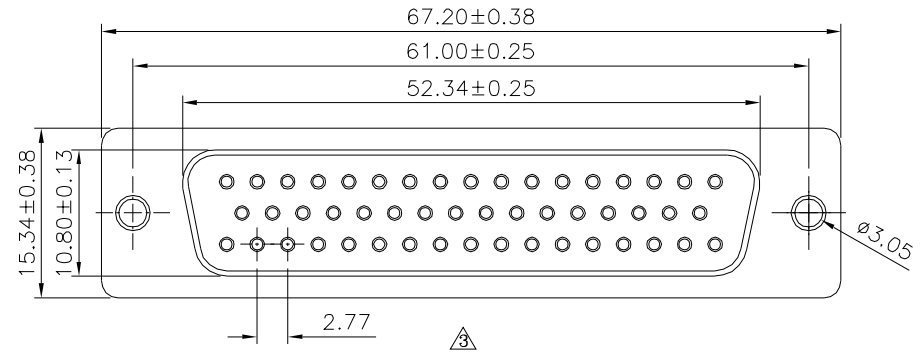
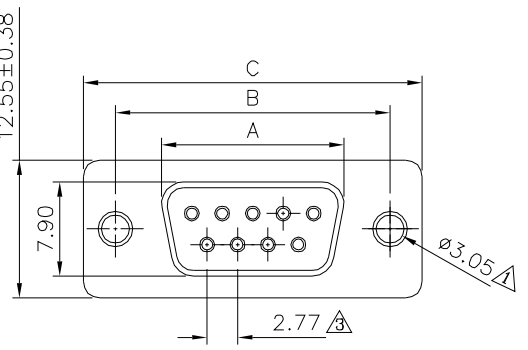
△△△ SPECIFICATION
 Signal Contact Current Rating:5 Amp
 Contact Resistance:10 Milliohms Max.
 Dielectric Withstanding Voltage:1000V AC
 For 1 Minute
 Insulation Resistance:5000 Megaohms Min.
 Operating Temperature:-55°C~+125°C
 Metal Shell:Steel,Tin Plated Over Nickel
 Insulator:PBT+30%G.F.(UL94V-0),Black
 Contact:Brass,Gold Flash Over Nickel
 RoHS Compliant



Recommended P.C.B. Layout



△ Recommended P.C.B. Layout



Pin	A±0.25	B±0.13	C±0.38	D±0.25	E±0.25
9	16.33	24.99	30.81	19.28	11.08
15	24.66	33.32	39.14	27.51	19.39
25	38.38	47.04	53.04	41.28	33.24
37	54.84	63.50	69.32	57.71	49.86

4UCON 元化興業股份有限公司
 4UCON TECHNOLOGY INC.

DRAWING No.		APPROVED BY		UNLESS OTHERWISE SPECIFIED TOLERANCES ARE .X ±0.3 .XX ±0.3 .XXX ±0.3 ANG. ±2°
21048		MEI		
		CHECKED BY	HZF	
SCALE	NONE	DRAWING BY	CYP	
		REV.	A3	UNIT mm

NO.	REV.	REVISIONS	CHK	DATE
△	A3	Modify Data	HZF	02/24/2017
△	A2	Modify Data	HZF	04/03/2014
△	A1	Modify Data	HZF	10/05/2011
△	A0	NEW RELEASE	HZF	10/02/2007