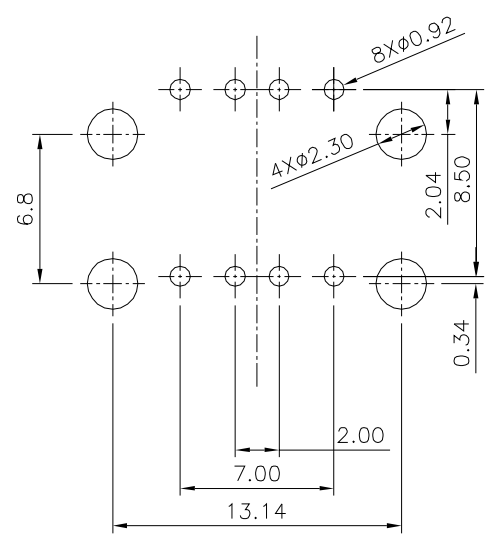
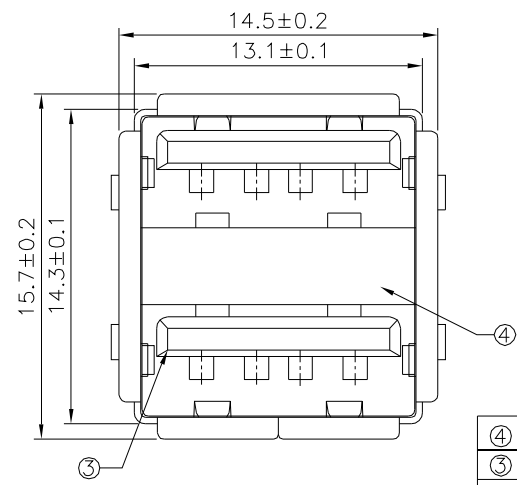
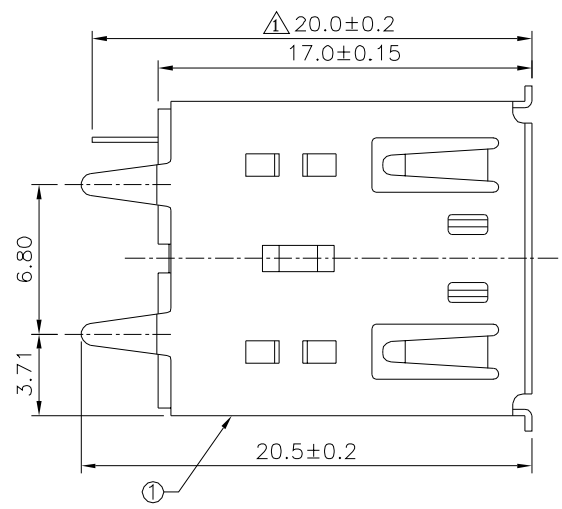
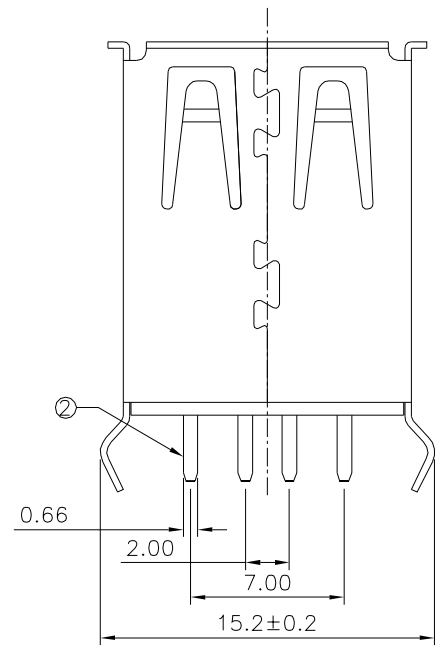


**SPECIFICATION**

Current Rating:1A Max.  
 Dielectric Withstanding Voltage:500V AC For 1 Minute  
 Contact Resistance:30 Milliohms Max.  
 Insulation Resistance:1000 Megaohms Min. At 500V DC  
 Total Mating Force:3.5 Kgf Max.  
 Total Unmating Force:1.0 Kgf Min.  
 ⚠ Temperature Range:-45°C~+85°C  
 RoHS Compliant



Recommended P.C.B. Layout



④	Clip	Brass	Nickel Plated	1
③	Insulator	PBT+30%G.F.,White		1
②	Terminal	C5191H	Gold Flash On Contact Area,Tin Plated On Solder Tails,Over Nickel	8
①	Shell	Brass	Nickel Plated	1
No.	Description	Material	Remark	Q'ty

**4UCON** 元化興業股份有限公司  
 4UCON TECHNOLOGY INC.

DRAWING No.		APPROVED BY		UNLESS OTHERWISE SPECIFIED TOLERANCES ARE .X ±0.2 X° ±2.0° .XX ±0.1 .XX° ±0.5°
21129		MEI		
		CHECKED BY HZF		
		DRAWING BY HAO		
SCALE	NONE	REV.	A1	UNIT mm

NO.	REV.	REVISIONS	CHK	DATE
⚠	A1	Modify Data	HZF	11/13/2015
⚠	A0	NEW RELEASE	HZF	04/15/2015