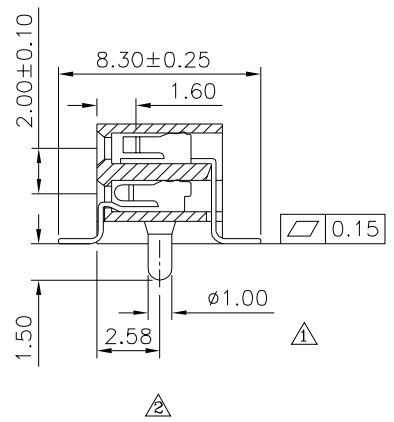
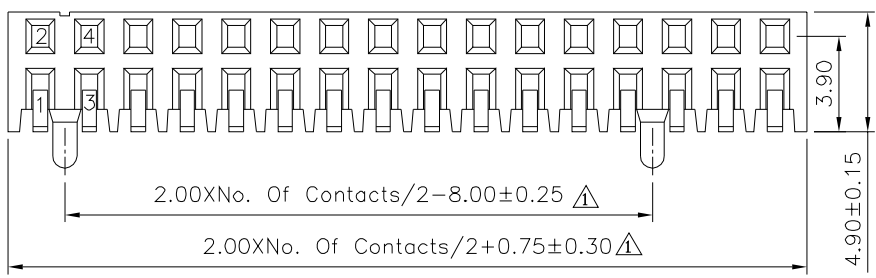
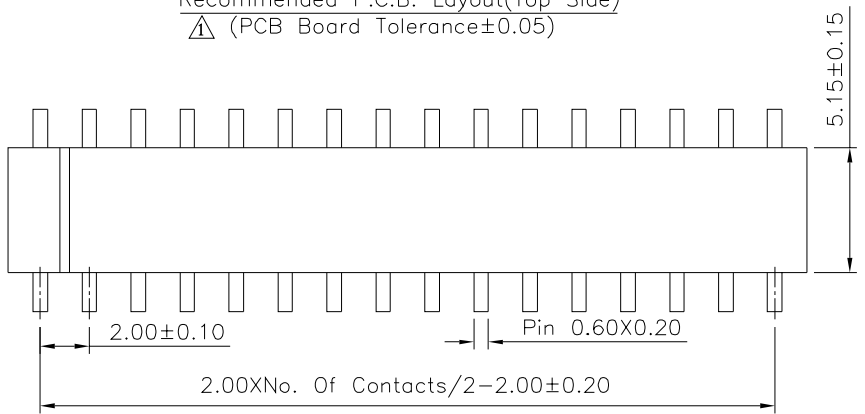


Recommended P.C.B. Layout (Top Side)
 (PCB Board Tolerance ±0.05)



△ SPECIFICATION

- Current Rating: 2.0 Amp
- Withstand Voltage: 500V AC/DC
- Contact Resistance: 20 Milliohms Max.
- Insulation Resistance: 1000 Megaohms Min.
- Operation Temperature: -40°C ~ +105°C
- △ Contact: Phosphor Bronze, Gold Plated Over Nickel
- △ Insulator: PA9T+30%G.F. (UL94V-0), Black
- RoHS Compliant

4UCON 元化興業股份有限公司
 4UCON TECHNOLOGY INC.

DRAWING No.		APPROVED BY		UNLESS OTHERWISE SPECIFIED TOLERANCES ARE △ .X ±0.40 △ .XX ±0.25 △ .XXX ±0.15 ANG. ±3°
21184		MEI		
		CHECKED BY	HZF	
SCALE	NONE	DRAWING BY	CYP	
		REV.	A3	UNIT mm

NO.	REV.	REVISIONS	CHK	DATE
3	A3	Modify Data	HZF	12/15/2017
2	A2	Modify Data	HZF	07/17/2012
1	A1	Modify Data	HZF	01/14/2010
0	A0	NEW RELEASE	BECKY	11/04/2005