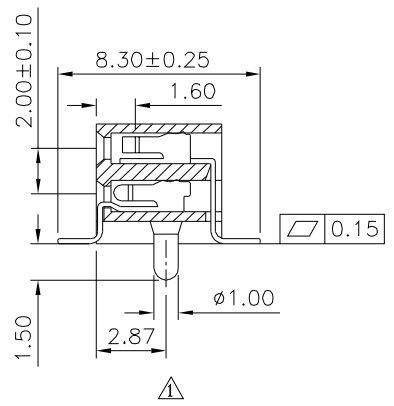
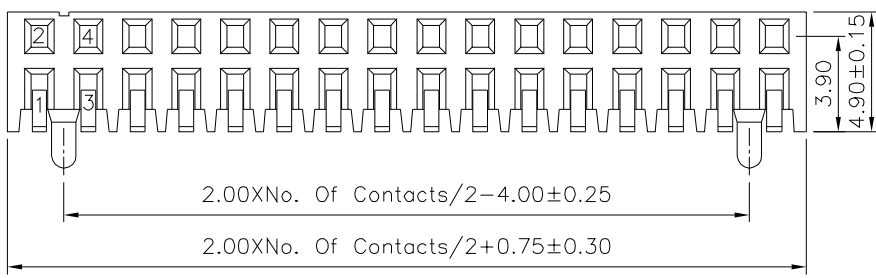
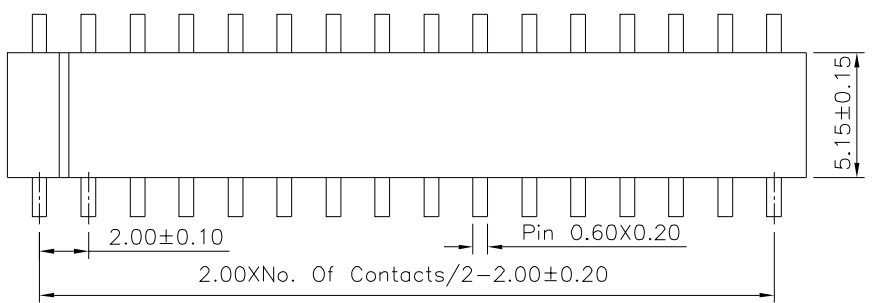


Recommended P.C.B. Layout(Top Side)
(PCB Board Tolerance±0.05)



SPECIFICATION
 Current Rating:2.0 Amp
 Withstand Voltage:500V AC/DC
 Contact Resistance:20 Milliohms Max.
 Insulation Resistance:1000 Megaohms Min.
 Operation Temperature:-40°C~+105°C
 ⚠ Contact:Phosphor Bronze,Gold Plated Over Nickel
 ⚠ Insulator:PA9T+30%G.F.(UL94V-0),Black
 RoHS Compliant

4UCON 元化興業股份有限公司
 4UCON TECHNOLOGY INC.

DRAWING No.		APPROVED BY		UNLESS OTHERWISE SPECIFIED TOLERANCES ARE .X ±0.40 .XX ±0.25 .XXX ±0.15 ANG. ±3°
21185		MEI		
		CHECKED BY	HZF	
		DRAWING BY	CYP	
SCALE	NONE	REV.	A2	UNIT mm

NO.	REV.	REVISIONS	CHK	DATE
⚠	A2	Modify Data	HZF	12/15/2017
⚠	A1	Modify Data	HZF	07/17/2012
⚠	A0	NEW RELEASE	HZF	07/15/2009