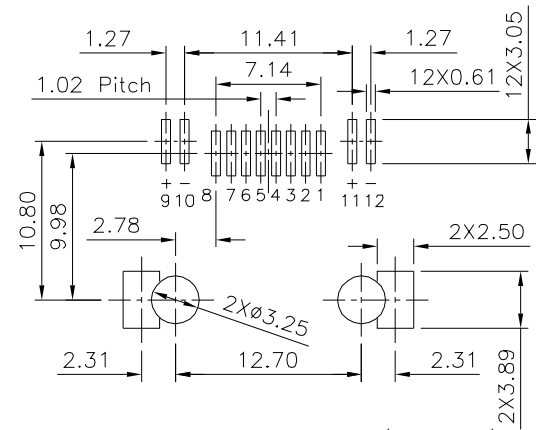
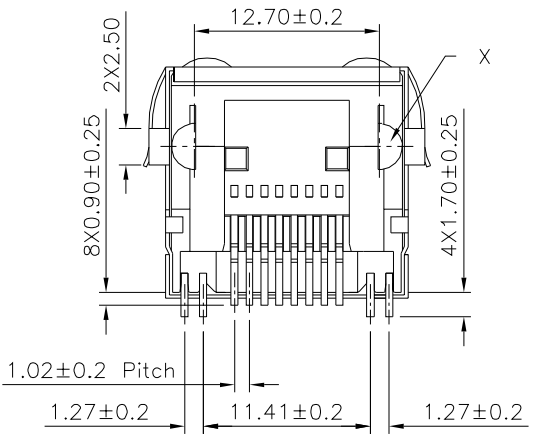
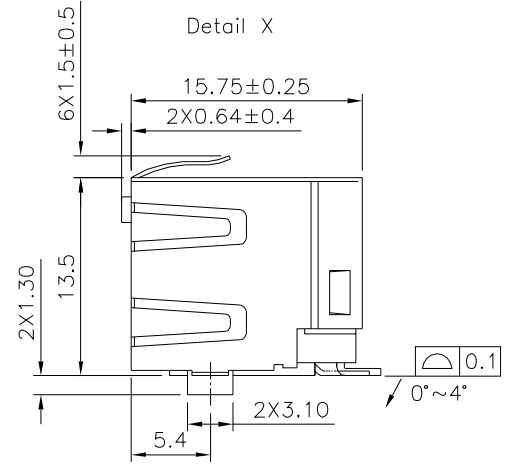
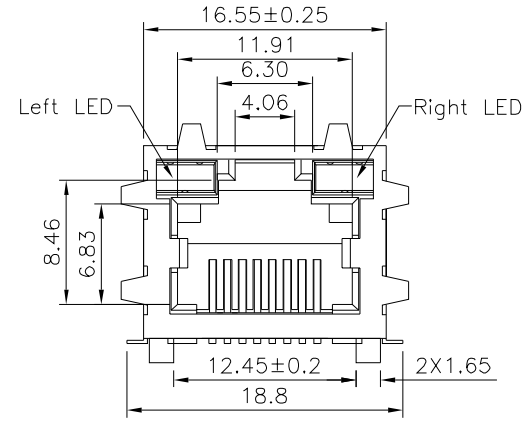
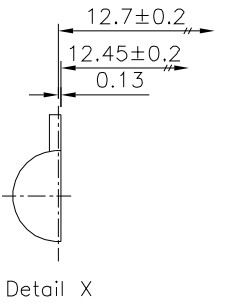
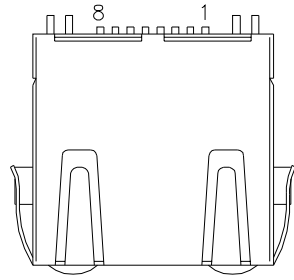


**SPECIFICATION**  
 Current Rating:1.5A Max.  
 Voltage Rating:150V AC Max.  
 Operating Temperature:-40°C~+85°C  
 Relative Humidity:70% ±10%RH  
 Insulation Resistance:500 Megaohms Min. Initial  
 At 500V DC  
 Contact Resistance:20 Milliohms Max. Initial  
 30 Milliohms Max. Final  
 Durability:750 Cycles  
 Dielectric Withstanding Voltage:  
 1000V RMS. At 60Hz,1 Minute Between  
 Adjacent Contacts  
 1500V RMS. At 60Hz,1 Minute Between  
 Shield And Contacts  
 Housing:PA9T(UL94V-0),Black  
 Insert Housing:PA46(UL94V-0),Black  
 Contact:Phosphor Bronze  
 Gold Plated 06u" On Contact Area,  
 Gold Flash On Other Area,Over Nickel  
 Shield:Brass,Nickel Plated  
 LED Solder Tail:Steel,Tin Plated  
 Cavity Conforms To FCC Rules And  
 Regulations Part 68,Subpart F.  
 RoHS Compliant



LED Color		
Code	Forward	Reverse
G	Green	——
Y	Yellow	——

Recommended P.C.B. Layout (Top View)  
 PCB Board Tolerance ±0.05 (Thickness: 1.6mm)

**4UCON** 元化興業股份有限公司  
 4UCON TECHNOLOGY INC.

DRAWING No.		APPROVED BY		UNLESS OTHERWISE SPECIFIED TOLERANCES ARE .X ±0.25 .XX ±0.13 .XXX ±0.05
21190		MEI		
		CHECKED BY	HZF	
		DRAWING BY	CYP	
SCALE	NONE	REV.	BO	UNIT mm

NO.	REV.	BO	NEW RELEASE	HZF	12/06/2017
			REVISIONS	CHK	DATE