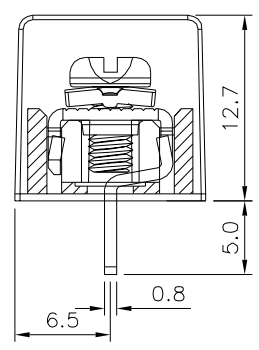
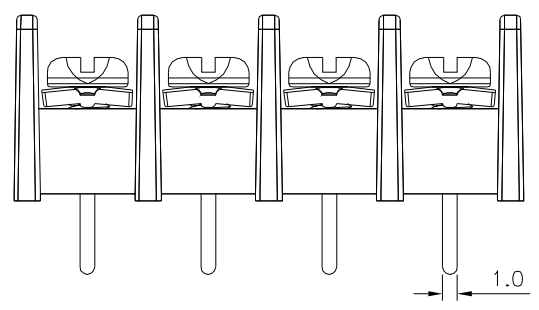
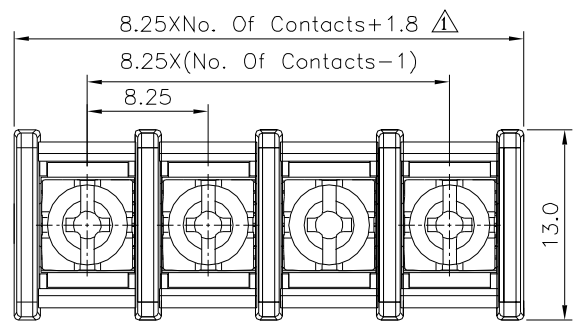


Recommended P.C.B. Layout



**SPECIFICATION**

Current Rating:20 Amps/Way Max.  
 Voltage Rating:300V AC  
 Contact Resistance:20 Milliohms Max.  
 Operation Temperature:-40°C~+105°C  
 Soldering Reliability:Test Temperature:  
 250°C±10°C/5s Max.  
 Withstanding Voltage:2500V AC (1 Minute)  
 Test Time=60s/1 PCS  
 Wire Range:12~22 AWG  
 Torque:10 Kgf.cm/M3.0  
 Insulator Body(Housing):PA66+G.F.(UL94V-0),Black  
 Terminals:Copper Alloy,Tin Plated  
 Terminal Screw:Steel,Galvanized With Cr3+ Plated  
 RoHS Compliant

**4UCON**

元化興業股份有限公司  
 4UCON TECHNOLOGY INC.

|             |      |             |    |
|-------------|------|-------------|----|
| DRAWING No. |      | APPROVED BY |    |
| 21321       |      | MEI         |    |
|             |      | CHECKED BY  |    |
|             |      | HZF         |    |
| DRAWING BY  |      | CYP         |    |
| SCALE       | NONE | REV.        | A1 |

|   |       |
|---|-------|
| UNLESS OTHERWISE SPECIFIED TOLERANCES ARE |       |
| X.  | ±0.50 |
| .X  | ±0.30 |
| .XX                                       | ±0.20 |
| ANG.                                      | ±1°   |
| UNIT                                      | mm    |

|     |      |             |     |            |
|-----|------|-------------|-----|------------|
| NO. | REV. | REVISIONS   | CHK | DATE       |
| △   | A1   | Modify Data | HZF | 05/28/2018 |
| △   | A0   | NEW RELEASE | HZF | 11/09/2017 |