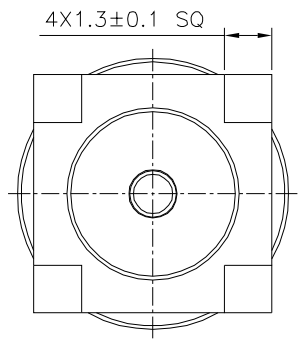
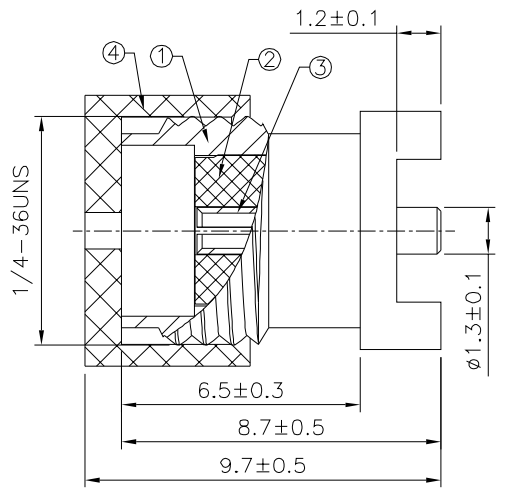
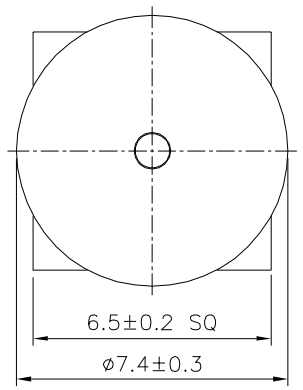
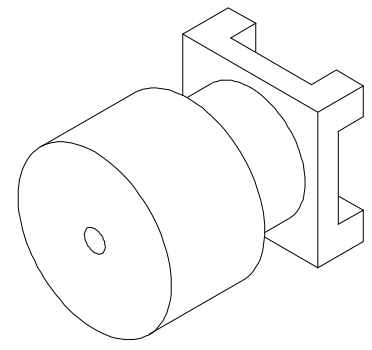


Recommended P.C.B. Layout



RoHS Compliant

No.	Material	Plated
①	Brass	Gold Plated Over Nickel
②	Teflon	--
③	Brass	Gold Plated Over Nickel
④	Teflon	--

**4UCON** 元化興業股份有限公司  
4UCON TECHNOLOGY INC.

DRAWING No.		APPROVED BY		UNLESS OTHERWISE SPECIFIED TOLERANCES ARE .X ±0.38 .XX ±0.25 ANG.
21330		MEI		
		CHECKED BY HZF		
SCALE		DRAWING BY		UNIT
NONE	REV.	CYP		mm
	A0			

NO.	REV.	DESCRIPTION	CHK	DATE
△ A0		NEW RELEASE	HZF	11/21/2017
		REVISIONS		