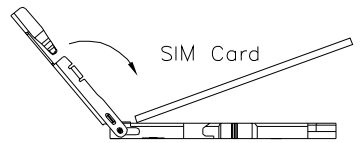
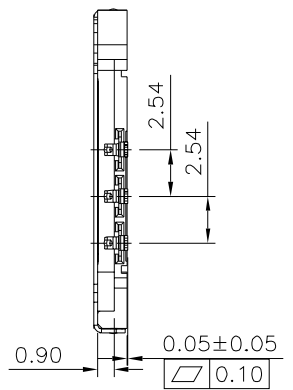
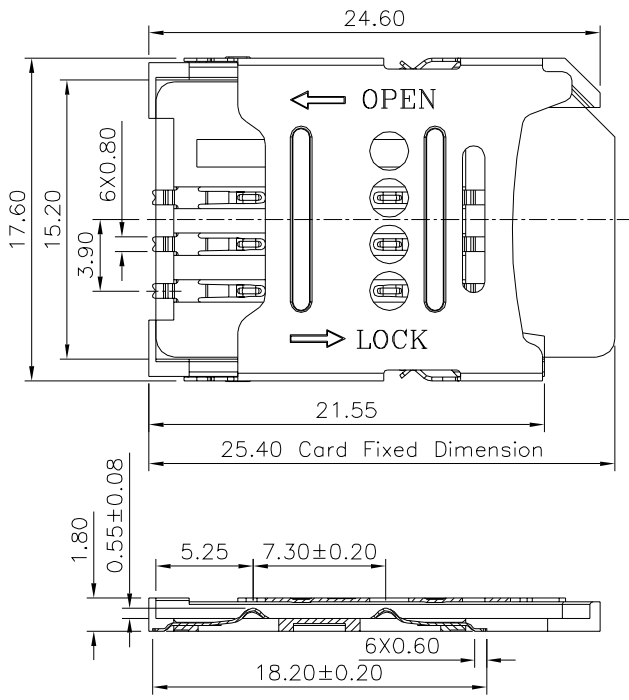


Recommended P.C.B. Layout (Top View)  
(PCB Board Tolerance ±0.05)  
PAD Area



**SPECIFICATION**

- 1. General Characteristics**  
SIM Card Hinged Cover Type 06P SMT 90° Without Locating Peg & Switch Row Pitch=J Type H=1.80mm Selective Gold Flash Tape & Reel 600 PCS/Reel
- 2. Material & Finish**  
Housing: LCP (UL94V-0), Black  
Terminal: C5210, Gold Flash On Contact Area, Tin Plated On Solder Tails, Over Nickel  
Shell: Stainless Steel, Gold Plated On Solder Area Nickel Plated Over All
- 3. Electrical Characteristics**  
Contact Resistance: 50 Milliohms Max.  
Insulation Resistance: 1000 Megohms Min.  
Withstanding Voltage: 350V AC RMS/Minute
- 4. Mechanical Characteristics**  
Durability: 3000 Cycles
- 5. RoHS Compliant**

**4UCON** 元化興業股份有限公司  
4UCON TECHNOLOGY INC.

DRAWING No.		APPROVED BY		UNLESS OTHERWISE SPECIFIED TOLERANCES ARE X. ±0.50 .XX ±0.30 ANG. ±2°
21391		MEI		
		CHECKED BY	HZF	
		DRAWING BY	CYP	
SCALE	NONE	REV.	A0	UNIT mm

NO.	REV.	REVISIONS	CHK	DATE
△ A0		NEW RELEASE	HZF	01/10/2018