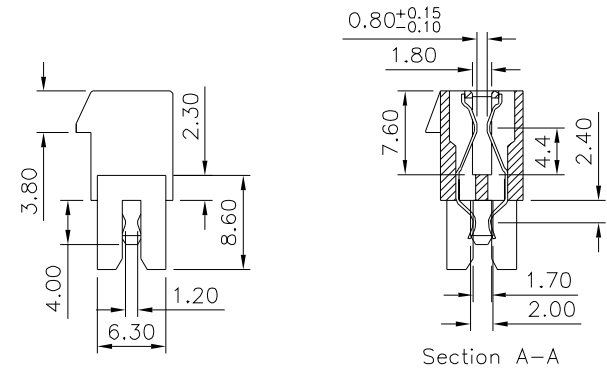
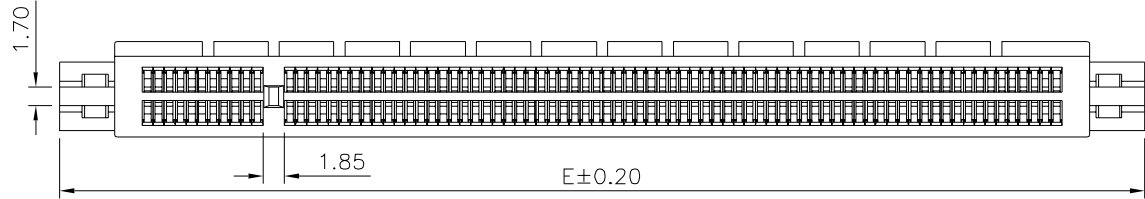
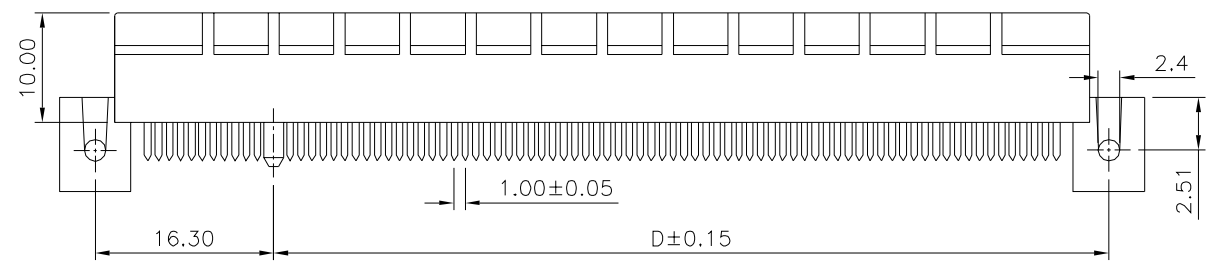
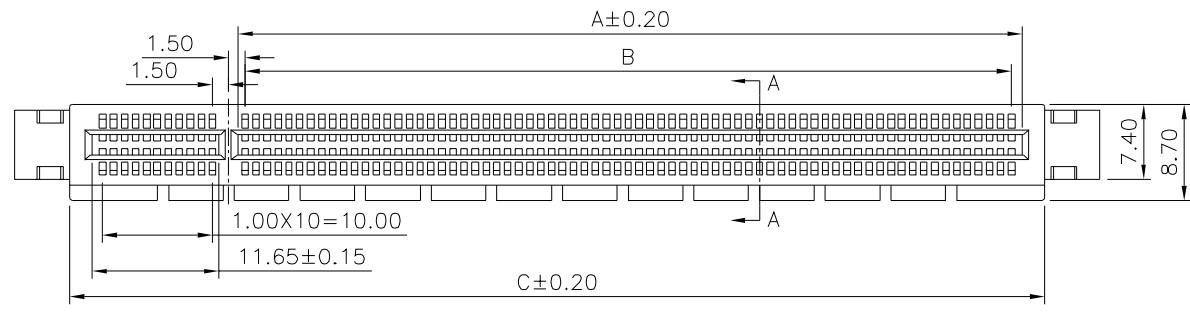


Daughter Card Layout

**SPECIFICATION**

Withstand Voltage:500V AC For 1 Minute  
 Contact Resistance:30 Milliohms Max.  
 Insulation Resistance:1000 Megaohms Min.  
 Operation Temperature:-55°C~+85°C  
 Terminal Retention Force(In Housing):0.5Kg Min. Per Terminal  
 Contact Insertion Force:0.115Kg Max. Per Contact Pair  
 Contact Withdrawal Force:0.015Kg Min. Per Contact Pair  
 Insulator:PA9T+G.F.,Black  
 Contact:Brass,Gold Flash On Contact Area,  
 Tin Plated On Solder Tails,Over Nickel  
 RoHS Compliant



Pin	A	B	C	D	E	F
036	7.65	6.00	25.00	12.30	35.10	6
064	21.65	20.00	39.00	26.30	49.10	20
098	38.65	37.00	56.00	43.30	66.10	37
164	71.65	70.00	89.00	76.30	99.10	70

**4UCON** 元化興業股份有限公司  
 4UCON TECHNOLOGY INC.

DRAWING No.		APPROVED BY		UNLESS OTHERWISE SPECIFIED TOLERANCES ARE .X ±0.20 .XX ±0.10 .XXX ±0.001 ANG. ±3°
21423		MEI		
		CHECKED BY	HZF	
SCALE		DRAWING BY		
NONE	REV.	CYP	AO	UNIT
				mm

△ AO	NEW RELEASE	HZF	01/26/2018
NO.REV.	REVISIONS	CHK	DATE