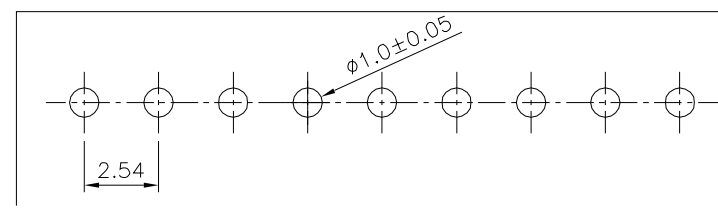
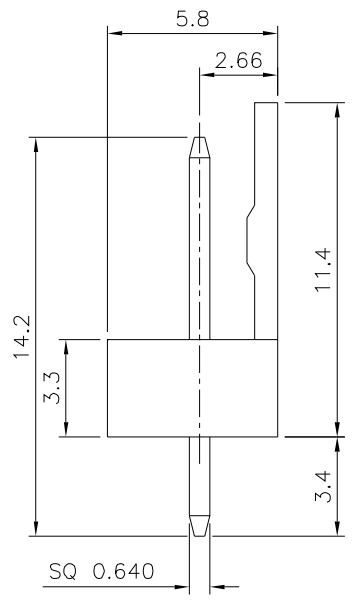
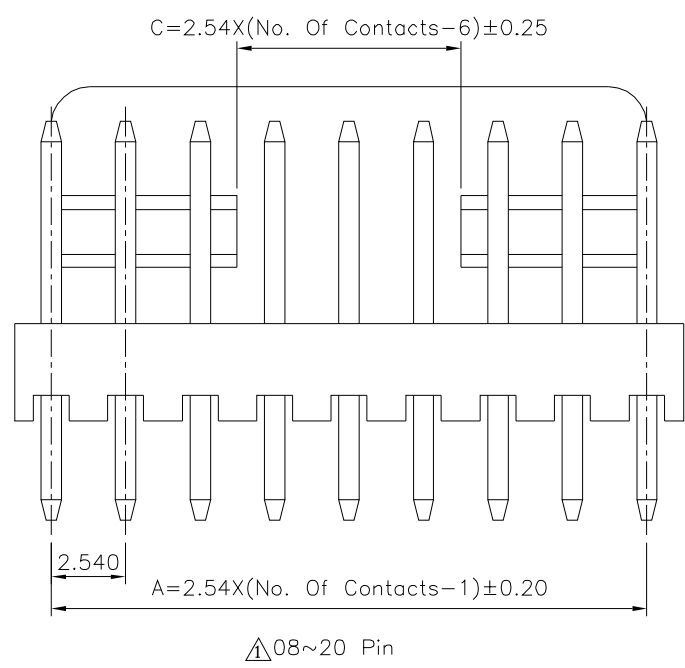
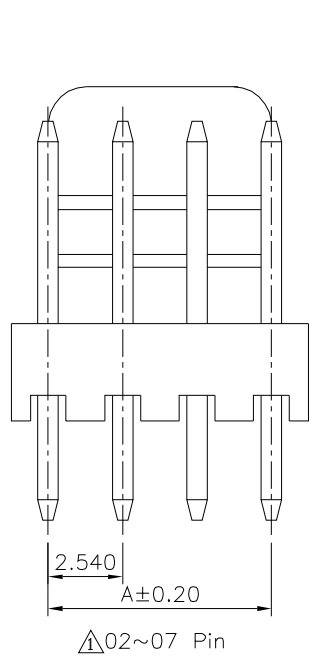
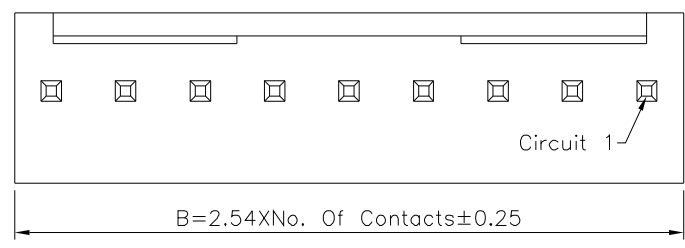
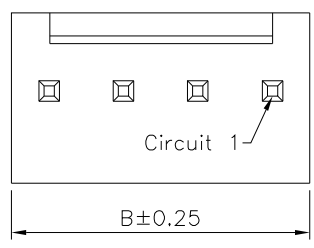


**SPECIFICATION**  
 Current Rating:2.5A AC/DC  
 Voltage Rating:250V AC/DC  
 Withstanding Voltage:1000V AC/Minute  
 Insulation Resistance:1000 Megaohms Min.  
 Contact Resistance:20 Milliohms Max.  
 Temperature Range:-25°C~+85°C  
 Insulator:PA66(UL94V-2),Beige  
 Contact:Brass,Tin Plated  
 RoHS Compliant



Recommended P.C.B. Layout  
 Thickness 0.80~1.60mm



Circuit	A	B	C
02	2.54	5.08	/
03	5.08	7.62	
04	7.62	10.16	
05	10.16	12.70	
06	12.70	15.24	
07	15.24	17.78	
08	17.78	20.32	
09	20.32	22.86	7.62
10	22.86	25.40	10.16
11	25.40	27.94	12.70
12	27.94	30.48	15.24
13	30.48	33.02	17.78
14	33.02	35.56	20.32
15	35.56	38.10	22.86
16	38.10	40.64	25.40
17	40.64	43.18	27.94
18	43.18	45.72	30.48
19	45.72	48.26	33.02
20	48.26	50.80	35.56

**4UCON** 元化興業股份有限公司  
 4UCON TECHNOLOGY INC.

DRAWING No.  $\Delta$   
 21448  
 SCALE NONE  
 REV. A1

APPROVED BY EMILY  
 CHECKED BY HZF  
 DRAWING BY HAO

UNLESS OTHERWISE SPECIFIED TOLERANCES ARE  
 .X  $\pm 0.25$   
 .XX  $\pm 0.15$   
 .XXX  $\pm 0.05$   
 UNIT mm

NO.	REV.	REVISIONS	CHK	DATE
$\Delta$	A1	Modify Data	HZF	07/30/2015
$\Delta$	A0	NEW RELEASE	HZF	05/21/2011