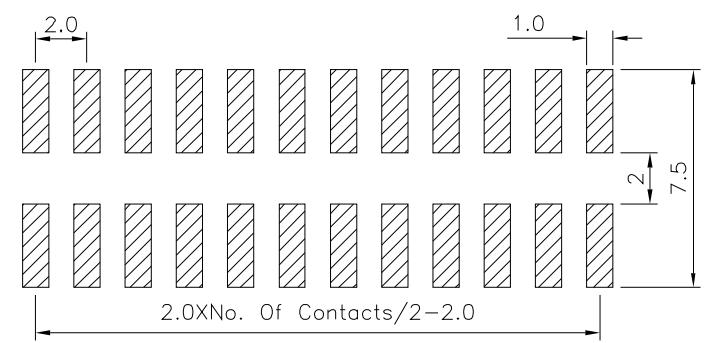
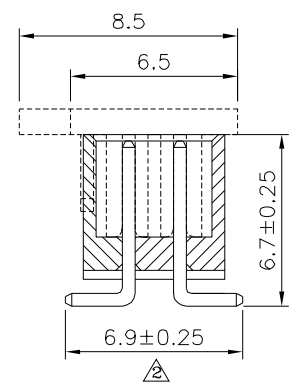
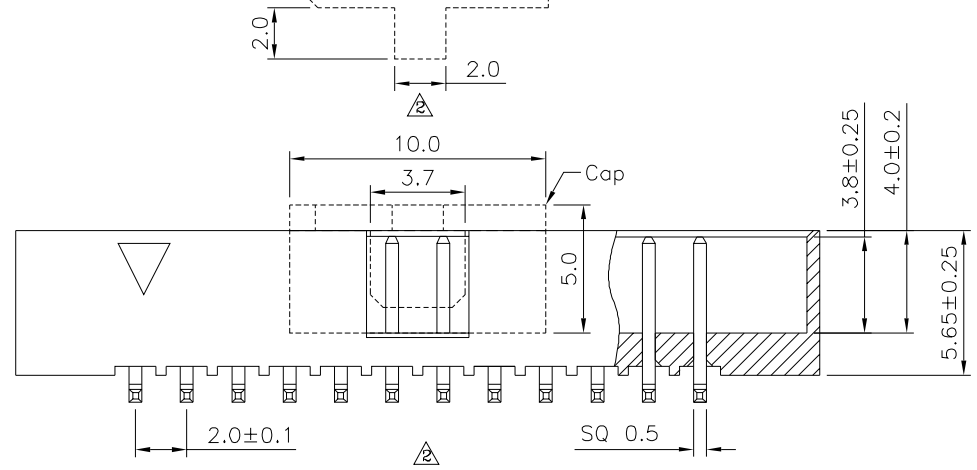
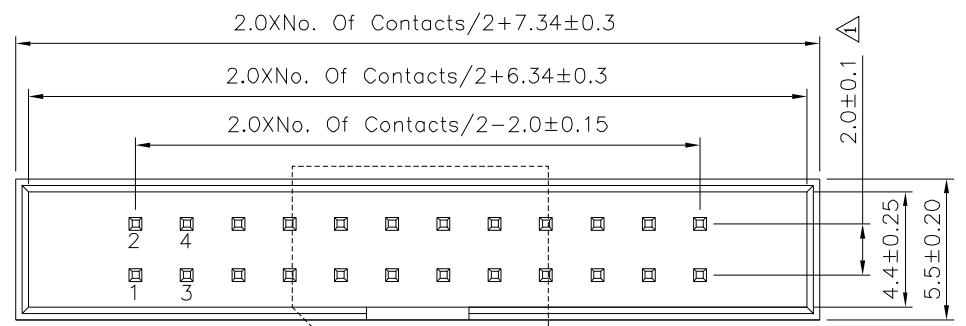


SPECIFICATION
 Current Rating:1.5 Amps
 Withstand Voltage:500V AC Min./Minute
 Contact Resistance:20 Milliohms Max.
 Insulation Resistance:1000 Megaohms Min.
 Operation Temperature:-40°C~+105°C
 Housing:PA6T(UL94V-0),Black
 Contact:Brass,Gold Flash Over Nickel
 RoHS Compliant



Recommended P.C.B. Layout(Top View)
 (PCB Board Tolerance±0.05)



4UCON 元化興業股份有限公司
 4UCON TECHNOLOGY INC.

DRAWING No.		APPROVED BY		UNLESS OTHERWISE SPECIFIED TOLERANCES ARE X. ±0.25 X.* ±2* .X ±0.20 .X* ±1.5* .XX ±0.15 .XX* ±1* .XXX ±0.10 .XXX* ±0.5*		
21528		MEI				
		CHECKED BY				
		HZF				
		DRAWING BY				
		CYP				
SCALE	NONE	REV.	A2	UNIT	mm	

NO.	REV.	REVISIONS	CHK	DATE
△A2		Modify Data	HZF	10/29/2022
△A1		Modify Data	HZF	01/24/2019
△A0		NEW RELEASE	HZF	07/17/2018