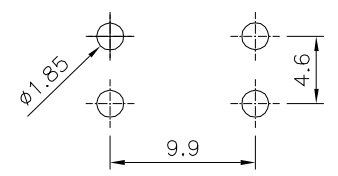
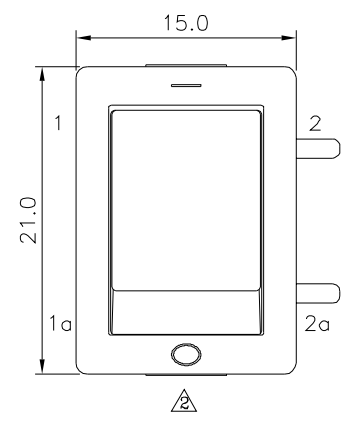
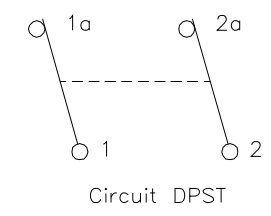
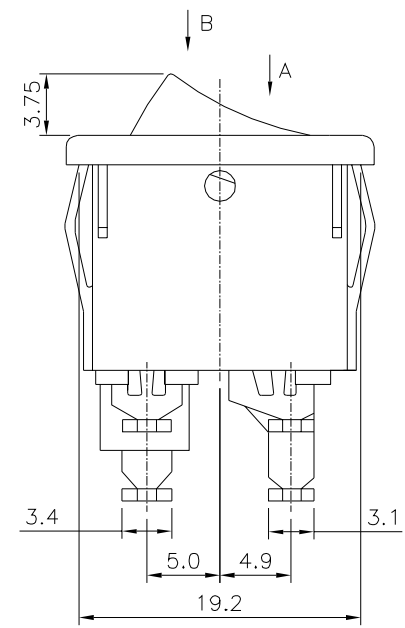
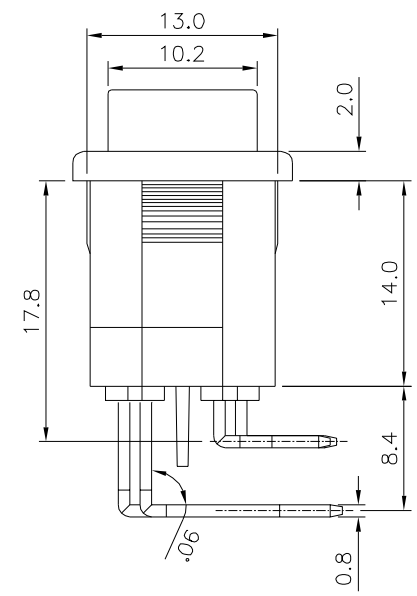


△ SPECIFICATION
 Rating: 6A 250V AC/12A 125V/AC
 4(1)A 250V AC
 Contact Resistance: <20 Milliohms (Initial)
 Insulation Resistance: >1000 Megaohms (500V DC Between Open Contacts)
 Withstand Voltage: >1500V For 1 Minute
 Minimum Load: 300mA 10V DC (Reference Only)
 Mechanical Life: >30000 Cycles
 Electrical Life: >10000 Cycles
 Temperature Rise At The Terminal: 30°C Max.
 Housing: PA66
 Rocker: PC2805
 Terminal: Brass, Silver Plated
 Contact: AgSnO2
 RoHS Compliant



Recommended P.C.B. Layout



Pole Function	Options Of Function		
	A	--	B
DPST	1-1a 2-2a		Off

Item No.	Housing	Rocker	Marking Option
21548	Black	Black	

4UCON 元化興業股份有限公司
 4UCON TECHNOLOGY INC.

DRAWING No. **21548**

APPROVED BY MEI
 CHECKED BY HZF
 DRAWING BY CYP

UNLESS OTHERWISE SPECIFIED TOLERANCES ARE
 .X ±0.4
 .XX ±0.25

SCALE NONE

REV. A2

UNIT mm

NO.	REV.	REVISIONS	CHK	DATE
△A2		Modify Data	HZF	02/29/2024
△A1		Modify Data	HZF	06/25/2019
△A0		NEW RELEASE	HZF	08/25/2018