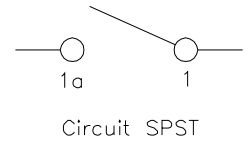
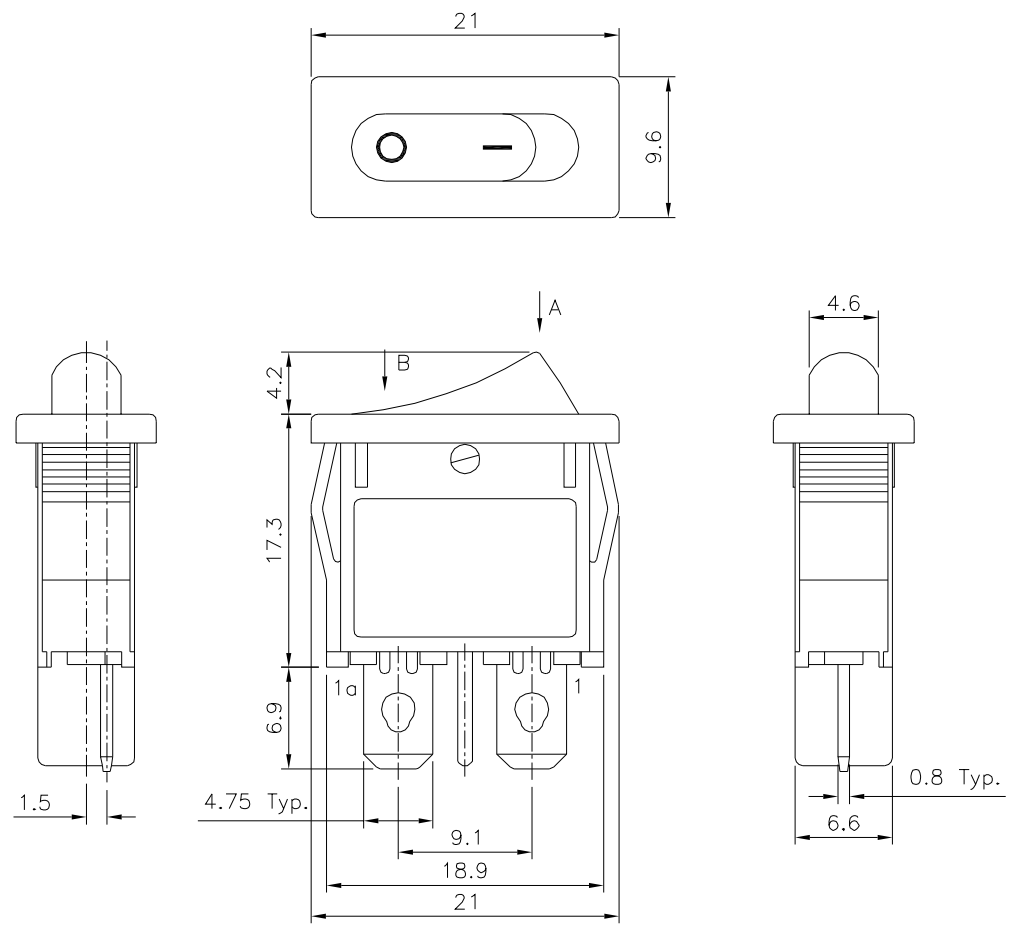


SPECIFICATION

Rating:6A 250V AC/10A 125V/AC
 Function:Off-On
 Contact Resistance:<20 Milliohms(Initial)
 Insulation Resistance:>1000 Megaohms(500V DC Between Open Contacts)
 Withstand Voltage:>1500V For 1 Minute
 Mechanical Life:>30000 Cycles
 Electrical Life:>10000 Cycles
 Temperature Rise At The Terminal:30°C Max.
 Housing:PA66,Black
 Rocker:PA66,Black
 Movable Arm:Beryllium Copper
 Contact:N-10 Silver Nickel
 Terminal:Brass,Silver Plated
 Spring:SUS304
 Printing:Ink
 RoHS Compliant



Pole Function	Options Of Function		
	A	--	B
SPST	1-1a		Off

4UCON 元化興業股份有限公司
 4UCON TECHNOLOGY INC.

DRAWING No. Δ
21549

APPROVED BY MEI
 CHECKED BY HZF
 DRAWING BY CYP
 REV. A1

UNLESS OTHERWISE SPECIFIED TOLERANCES ARE
 .X ± 0.4
 .XX ± 0.25

SCALE NONE REV. A1 UNIT mm

NO.	REV.	REVISIONS	CHK	DATE
Δ	A1	Modify Data	HZF	06/25/2019
Δ	A0	NEW RELEASE	HZF	08/25/2018