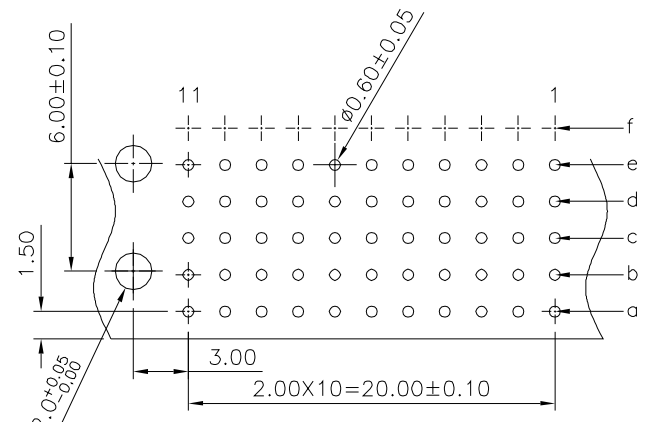


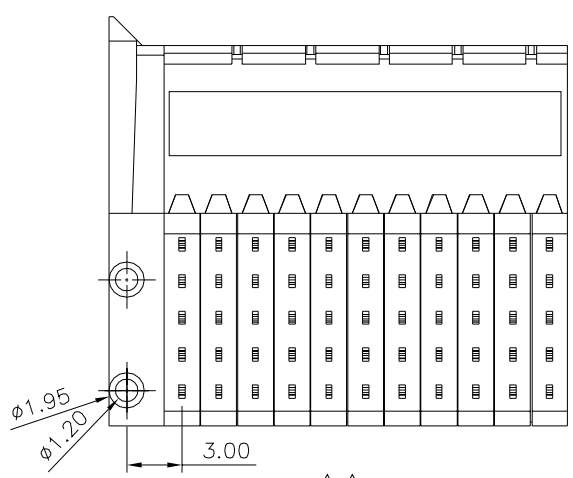
Recommended P.C.B. Layout (Top View)



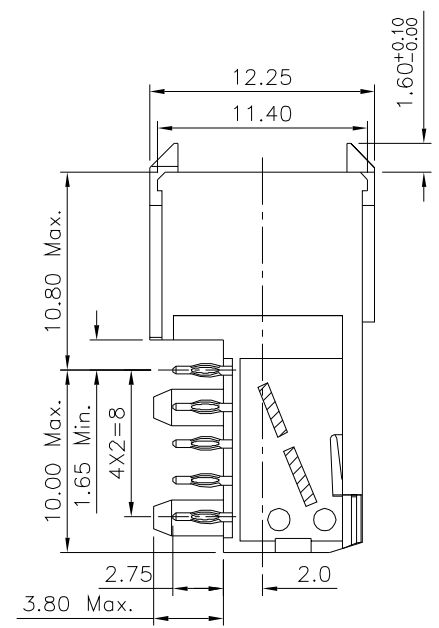
Recommended P.C.B. Layout (Top View)

SPECIFICATION

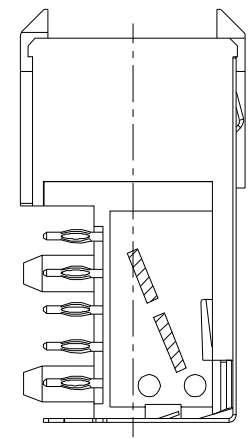
- Current Rating: 1 Amp
- Dielectric Withstanding Voltage: 750V AC For 1 Minute
- Contact Resistance: 20 Milliohms Max. At DC 100mA
- Insulation Resistance: 10000 Megaohms Min. At DC 500V
- Operating Temperature: -55°C~+105°C
- Housing: LCP+G.F.(UL94V-0)
- Contact & Shell: Phosphor Bronze
- Gold Plated 10u" On Contact Area, Tin Plated On Solder Tails, Over Nickel
- RoHS Compliant



None Shielded



With Top Body Shielded



With Top Body Shielded And Bottom Shielded

4UCON 元化興業股份有限公司
4UCON TECHNOLOGY INC.

DRAWING No. 21630

APPROVED BY MEI
CHECKED BY HZF
DRAWING BY CYP
SCALE NONE REV. A3

UNLESS OTHERWISE SPECIFIED TOLERANCES ARE
X. ±0.5
.X ±0.25
.XX ±0.15
UNIT mm

NO.	REV.	REVISIONS	CHK	DATE
A3		Modify Data	HZF	06/11/2019
A2		Modify Data	HZF	06/05/2019
A1		Modify Data	HZF	02/24/2012
A0		NEW RELEASE	HZF	04/24/2007