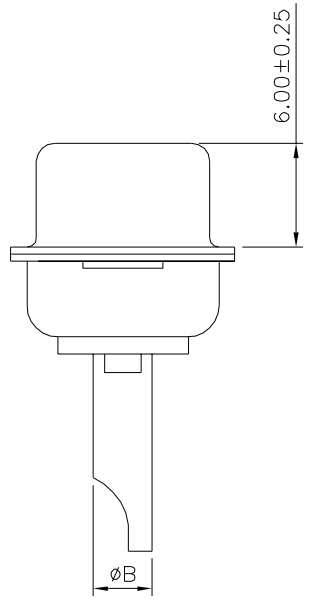
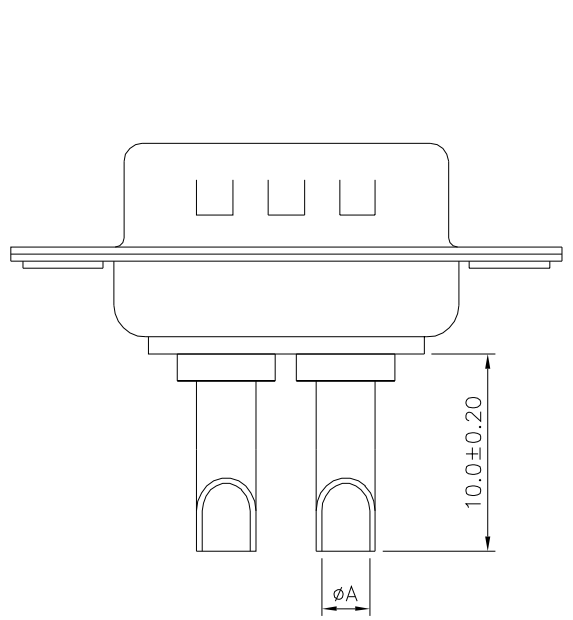
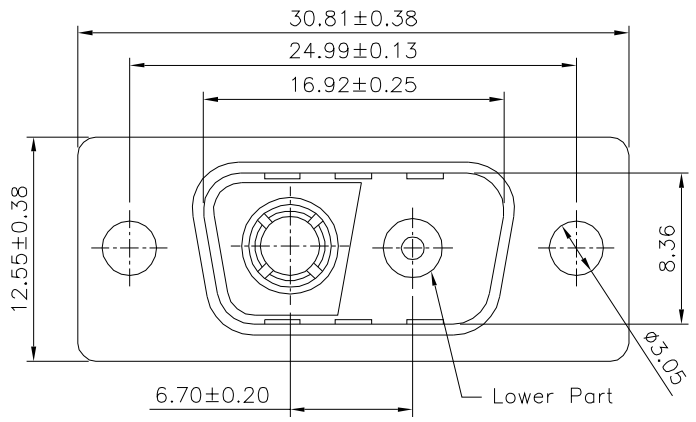


SPECIFICATION

Power Contact Current Rating:10,20,30,Or 40 Amps
 Contact Resistance:10 Milliohms Max.
 Dielectric Withstanding Voltage:1000V AC Per Minute
 Insulation Resistance:5000 Megaohms Min.
 Operating Temperature:-55°C~+125°C
 Metal Shell:Steel,Tin Plated Over Nickel
 Insulator:PBT+30%G.F.(UL94V-0),Black
 Power Contact:Brass,Gold Flsah Over All,Over Nickel
 RoHS Compliant



Current Rating	Wire Size	ϕA	ϕB
20 Amps	AWG #12-14	$\phi 2.7$	$\phi 3.6$

4UCON 元化興業股份有限公司
 4UCON TECHNOLOGY INC.

DRAWING No.		APPROVED BY		UNLESS OTHERWISE SPECIFIED TOLERANCES ARE .X ±0.3 .XX ±0.3 ANG. ±2°
21677		EMILY		
		CHECKED BY HZF		
DRAWING BY		CYP		UNIT mm
SCALE	NONE	REV.	A0	

NO.	REV.	REVISIONS	CHK	DATE
△ A0		NEW RELEASE	HZF	12/05/2014