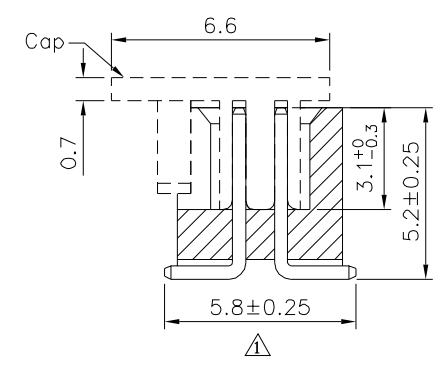
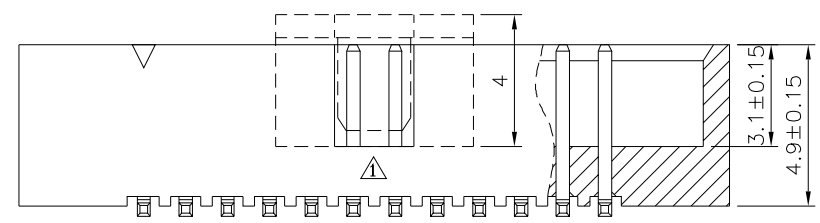
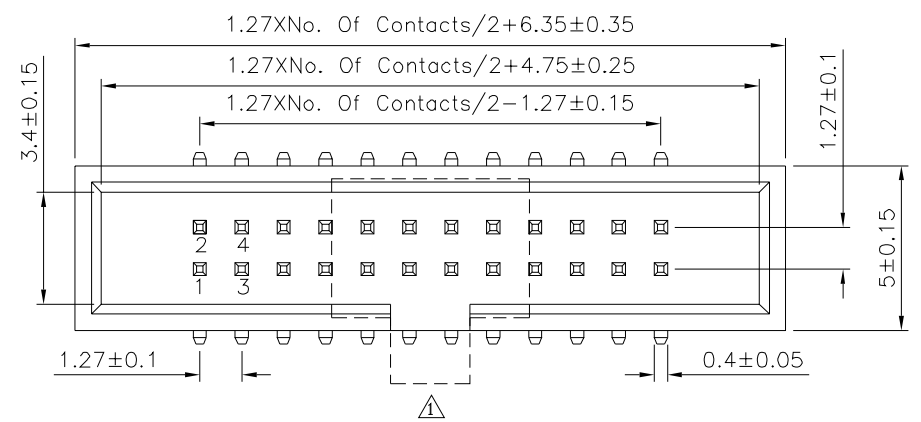


Recommended P.C.B. Layout (Top View)
(PCB Board Tolerance ±0.05)

△ SPECIFICATION
 Current Rating: 1.0A
 Withstanding Voltage: 500V AC Min./Minute
 Contact Resistance: 20 Milliohms Max.
 Insulation Resistance: 1000 Megaohms Min.
 Operation Temperature: -40°C ~ +105°C
 Contact: Brass, Gold Flash Over Nickel
 Insulator: PA9T (UL94V-0), Black
 RoHS Compliant



4UCON 元化興業股份有限公司
 4UCON TECHNOLOGY INC.

DRAWING No. 21697
 SCALE NONE

APPROVED BY MEI
 CHECKED BY HZF
 DRAWING BY CYP
 REV. A1

UNLESS OTHERWISE SPECIFIED TOLERANCES ARE △
 X. ±0.30 X.* ±2°
 .X ±0.25 .X.* ±1.5°
 .XX ±0.20 .XX.* ±1.0°
 .XXX ±0.15 .XXX.* ±0.5°

NO.	REV.	REVISIONS	CHK	DATE
△	A1	Modify Data	HZF	09/13/2023
△	A0	NEW RELEASE	HZF	02/17/2019